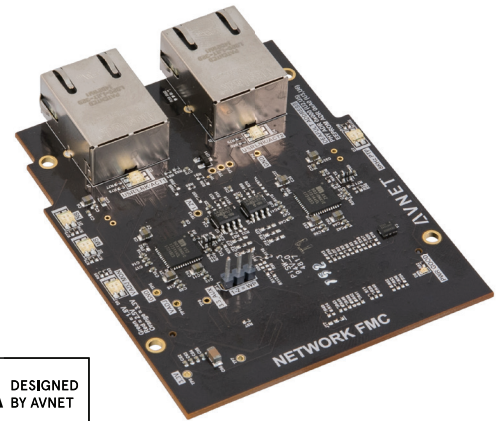


The Avnet Network FMC Module enables Industrial Ethernet digital communications, which is a key component to Industry 4.0 applications. The module is designed to operate with any Avnet or Xilinx base board that is FMC enabled. Utilizing the dual compatible 10/100/1000 Ethernet PHYs, the Network FMC Module can quickly get you started with Xilinx FPGA and SoC based designs.

## FEATURES

- FMC LPC single-width module
- Dual RGMII 10/100/1000 Ethernet PHY
- Dual Ethernet MAC ID EEPROM
- IPMI EEPROM
- Bi-Color Status LEDs
- 3.3V - 1.8V IO Voltage compatibility

To purchase this kit, visit <http://avnet.me/fmc-network1>



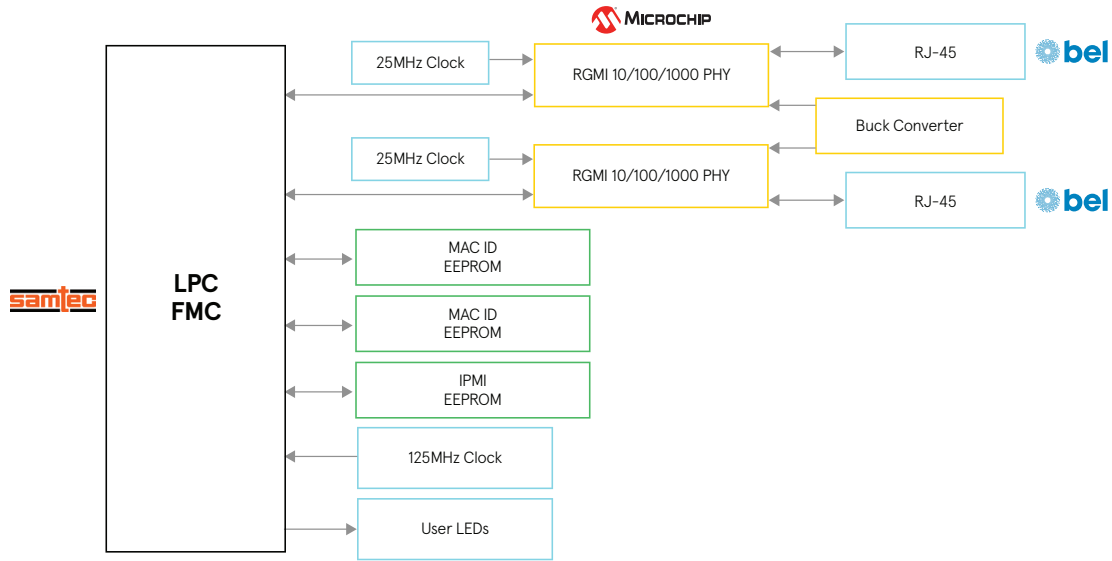
## KIT INCLUDES

- Network FMC Module
- Downloadable Schematics, BOM, and User Guide

## TARGET APPLICATIONS

- Industrial Ethernet
- Gigabit Ethernet Switch
- Industrial IoT Gateway
- Hardware Accelerated Router
- Traffic Monitoring
- Time-Sensitive Networking (TSN) Real-Time

## BLOCK DIAGRAM



## FEATURED MANUFACTURERS



## PARTS

| Part Number     | Description                        |
|-----------------|------------------------------------|
| AES-FMC-NETW1-G | Dual Gigabit Networking FMC Module |

## RELATED PARTS

| Part Number         | Description                       |
|---------------------|-----------------------------------|
| AES-ZU3EG-1-SOM-G   | UltraZed-EG SOM (Extended Temp)   |
| AES-ZU3EG-1-SOM-I-G | UltraZed-EG SOM (Industrial Temp) |
| AES-ZU-IOCC-G       | UltraZed IO Carrier Card          |

Countries Available for Purchase: Americas, EMEA, Asia, Japan

## CONTACT INFORMATION

**North America**  
 2211 S 47<sup>th</sup> Street  
 Phoenix, Arizona 85034  
 United States of America  
 eval.kits@avnet.com  
 1-800-585-1602

**Europe**  
 Gruber Str. 60c  
 85586 Poing  
 Germany  
 marketing@silica.com  
 +49-8121-77702

**Europe (EBV)**  
 Im Technologypark 2-8  
 85586 Poing  
 Germany  
<http://ebv.com/contact>

**Japan**  
 Yebisu Garden Place Tower, 23F  
 4-20-3 Ebisu, Shibuya-ku  
 Tokyo 150-6023 Japan  
 eval-kits-jp@avnet.com  
 +81-(0)3-5792-8210

**Asia**  
 151 Lorong Chuan  
 #06-03 New Tech Park  
 Singapore 556741  
 XilinxAPAC@avnet.com  
 +65-6580-6000