

NFP0QSB132HL2#

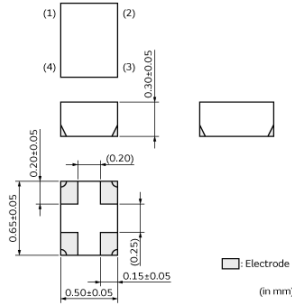
"#" indicates a package specification code.



< List of part numbers with package codes >

NFP0QSB132HL2B NFP0QSB132HL2D

Appearance & Shape



Features

1. Small size and tight dimensional tolerance
Size: 0.65x0.50x0.30mm
Tolerance: +-0.05mm
2. Common mode noise suppression effect
(The effect become maximum at 1.3GHz)
3. Prevents signal damaging in high speed differential lines.
4. Designed to match line impedance.

Application

Common mode noise suppression of high speed differential signal lines for mipi, USB 2.0, IEEE1394, LVDS etc.

1. Note PCs
2. Cellular phones
3. Digital Still Cameras, Digital Video Cameras

Applications

Other Usage	For general
-------------	-------------

Packaging Information

Packaging	Specifications	Minimum Order Quantity
B	Bulk(Bag)	500
D	180mm Paper Tape	15000

Attention

- 1.This datasheet is downloaded from the website of Murata Manufacturing Co., Ltd. Therefore, it's specifications are subject to change or our products in it may be discontinued without advance notice. Please check with our sales representatives or product engineers before ordering.
- 2.This datasheet has only typical specifications because there is no space for detailed specifications.
Therefore, please review our product specifications or consult the approval sheet for product specifications before ordering.

NFP0QSB132HL2#

“#” indicates a package specification code.



Specifications

Shape	SMD	DC Resistance	2.0Ω±30%
Size Code (in mm)	0605	Insulation Resistance(min.)	100MΩ
Size Code (in inch)	025020	Cut-off Frequency	7.5GHz (Typ.)
Length	0.65mm	Operating Temperature Range	-40°C to 85°C
Length Tolerance	±0.05mm	Mass(typ.)	0.456mg
Width	0.5mm	Number of Circuit	1
Width Tolerance	±0.05mm	Operating Temperature Range(Self-temperature rise is included)	No
Thickness	0.3mm		
Thickness Tolerance	±0.05mm		
Common Mode Impedance (at 100MHz)	90Ω		
Common Mode Impedance (at 100MHz) Tolerance	(Typ.)		
Common Mode Insertion Loss Characteristic	20dB Typ.(700MHz), 23dB Typ.(900MHz), 25dB Typ.(1.7GHz), 22dB Typ.(2.4GHz), 14dB Typ.(5.0GHz)		
Rated Current	100mA		
Rated Voltage	5Vdc		
Withstanding Voltage	12.5Vdc		
DC Resistance(max.)	2.6Ω		

Attention

1.This datasheet is downloaded from the website of Murata Manufacturing Co., Ltd. Therefore, it's specifications are subject to change or our products in it may be discontinued without advance notice. Please check with our sales representatives or product engineers before ordering.

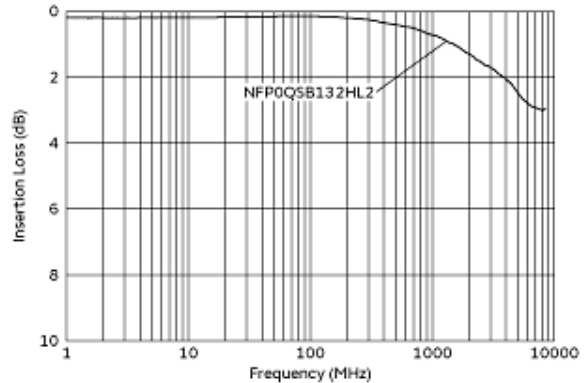
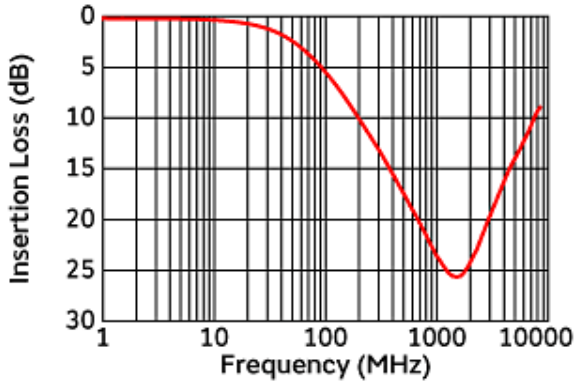
2.This datasheet has only typical specifications because there is no space for detailed specifications.

Therefore, please review our product specifications or consult the approval sheet for product specifications before ordering.

NFP0QSB132HL2#

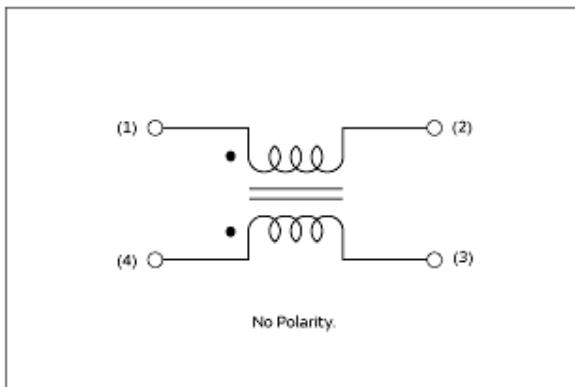
“#” indicates a package specification code.

Product Data



Common Mode Insertion Loss Characteristic (Typical Value)

Differential Mode Transmission Characteristics (Typical Value)



Equivalent Circuit

Attention

1.This datasheet is downloaded from the website of Murata Manufacturing Co., Ltd. Therefore, it's specifications are subject to change or our products in it may be discontinued without advance notice. Please check with our sales representatives or product engineers before ordering.
2.This datasheet has only typical specifications because there is no space for detailed specifications.
Therefore, please review our product specifications or consult the approval sheet for product specifications before ordering.