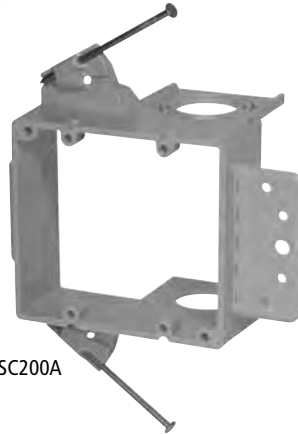


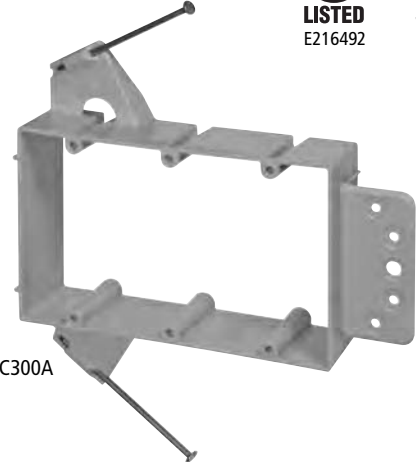
Low Voltage Brackets*



SC100A



SC200A



SC300A

One-and two-gang versions only

- Backless Design accommodates large/deep low voltage devices
- Eliminates cutting the backs off Electrical Boxes.
- Accommodates bend radius requirements for low voltage cabling
- Provides ample space for installation
- Mount Flange for steel stud application

- Resi-Rings with Concentric Knockouts
- Accepts 3/4", 1", and 1-1/4" Resi-Gard.
- Horizontal Mounting Bracket (one-gang only)
- Breakaway Drywall Support Flange provides easy alignment for 1/2" drywall
- Screw mount option
- Breakaway Vertical Mounting Flange
- Breakaway feature allows the use of the Low Voltage Add-On Bracket

Part No.	Size	Resi-Rings	Std. Ctn. Qty.	Std. Ctn. Wt. (lbs.)
SC100A	1-Gang	3/4", 1", 1-1/4"	24	5.3
SC200A	2-Gang	3/4", 1", 1-1/4"	24	7.7
▶SC300A	3-Gang	—	5	1.6

*U.S. Patent D457,140
U.S. Patent D462,664
U.S. Patent 6,812,405

*©Lamson & Sessions

Old Work Brackets



SC100RR



SC200RR

- Rectangular Flange for faster/easier installation.
- Shallow Bracket – Less material, easier to work with.
- Marking hole for wall opening.

- Thinner Flange for less protrusion on the wall.
- SINGLE GANG ONLY – Clamps stop at center point to prevent the bracket from twisting or bending out of the wall.

Part No.	Size	Std. Ctn. Qty.	Std. Ctn. Wt. (lbs.)
SC100RR	1-Gang	12	1.4
SC200RR	2-Gang	6	.9