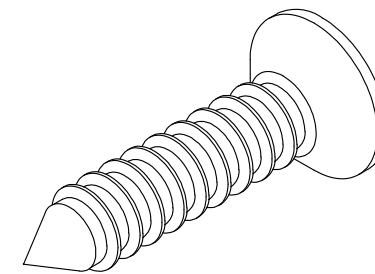
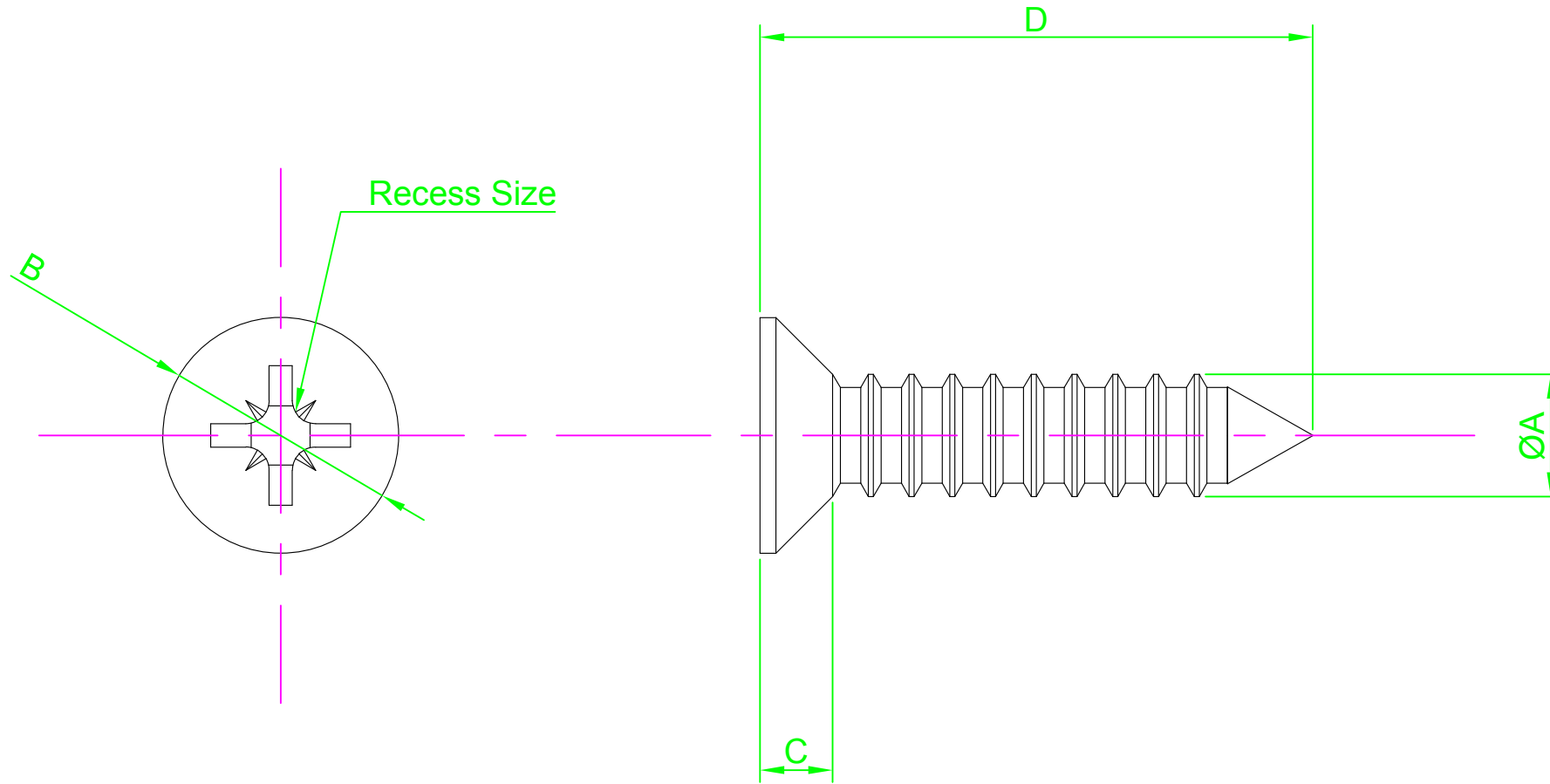


DO NOT SCALE DRAWING

REVISION

A INITIAL DRAWING 04.12.17



Part Number	ØA	B Nom	C Nom	D Length	Recess Size
N4 0.500 KRSTAB B200	2.9	5.5	1.7	13	Pozi #1
N6 0.500 KRSTAB B200	3.5	6.8	2.1	13	Pozi #2
N6 0.750 KRSTAB B200				19	
N6 1.000 KRSTAB B200				25	
N8 1.000 KRSTAB B200	4.2	8.1	2.5	25	Pozi #2
N8 1.250 KRSTAB B200				32	

NOTES:



UNLESS OTHERWISE SPECIFIED:
DIMENSIONS ARE IN MM (Millimeters)
SURFACE FINISH:
TOLERANCES: DIN 7982

MATERIAL:
Steel

TITLE:
Pozi Csk Head Self Tapping Screw
DIN 7982C

	NAME	DATE
DRAWN	Darryl Wilson	04.12.17
CHK'D		
APPVD		

HEAT TREATMENT:

DESIGN RIGHT. TR FASTENINGS LTD, 2003
UNDER NO CIRCUMSTANCES MUST THIS
DRAWING BE COPIED OR DISCLOSED
WITHOUT FIRST OBTAINING WRITTEN
AUTHORITY.

CUSTOMER PART NUMBER:
N/A

FINISH:
TC1D - Commercial Zinc/Clear Trivalent
De-Embrittle

DRAWING NUMBER:
TR32KRSTAB-B200

A4

PROJECTION

