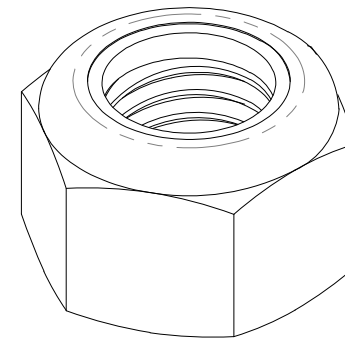
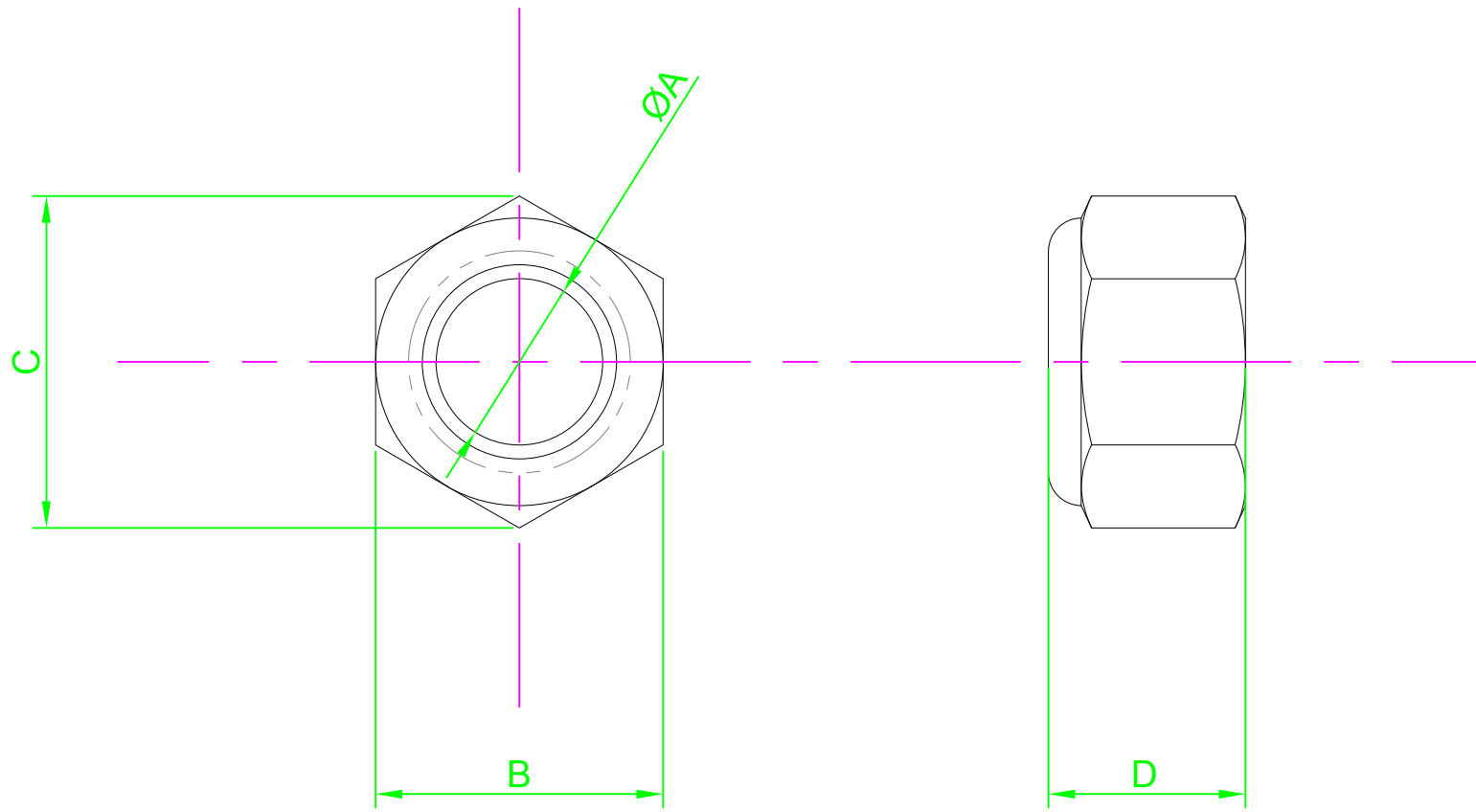


DO NOT SCALE DRAWING



REVISION

A INITIAL DRAWING 04.01.16

PART NUMBER	ØA	B	C	D
M8 - N5ST- Z50	M8-1.25	13	14.38	8.0
M10 - N5ST- Z50	M10-1.5	17	18.9	10.0

NOTES:



UNLESS OTHERWISE SPECIFIED:  
DIMENSIONS ARE IN MM (MILLIMETERS).  
SURFACE FINISH:  
TOLERANCES: DIN 985

MATERIAL:  
Steel

TITLE:  
Prevailing Torque Type Hex Thin Nut with  
Non-Metallic Insert DIN985

	NAME	DATE
DRAWN	Darryl Wilson	04.01.16
CHK'D		
APPVD		

HEAT TREATMENT:

DESIGN RIGHT. TR FASTENINGS LTD. 2003  
UNDER NO CIRCUMSTANCES MUST THIS  
DRAWING BE COPIED OR DISCLOSED  
WITHOUT FIRST OBTAINING WRITTEN  
AUTHORITY.

CUSTOMER PART NUMBER:  
N/A

FINISH:  
TC1 - Commercial Zinc/Clear Trivalent

DRAWING NUMBER:  
TR32N5ST-Z50

A4

PROJECTION

