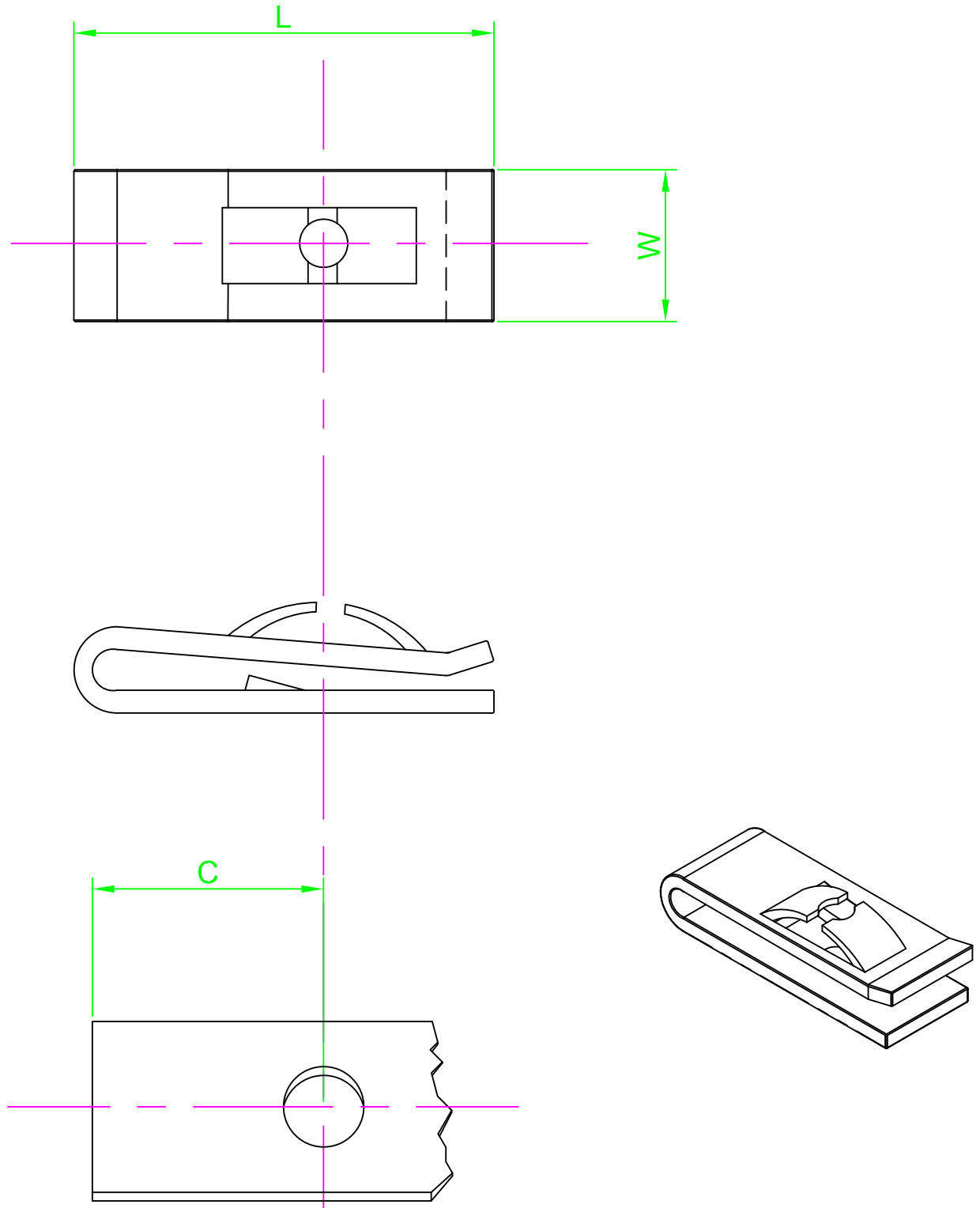


DO NOT SCALE DRAWING

REVISION

A INITIAL DRAWING 04.01.16



Part Number	Screw Size	L	W	Panel Thick	C	Part Ref
M4 - UNST- Z100	M4	16.5	11.2	0.7 - 1.6	6.7	UN/4M/A
N4 - UNST- Z100	N4 (2.9)	11.2	7.9	0.7 - 1.2	4.8	UN/4/A
N6 - UNST- Z100	N6 (3.5)	16.5	11.2	0.7 - 1.6	6.7	UN/6/A
N8 - UNST- Z100	N8 (4.2)	16.5	11.2	0.7 - 1.6	6.7	UN/8/A
N10 - UNST- Z100	N10 (4.8)	19.8	12.7	0.9 - 2.1	7.9	UN/10/A

NOTES:



UNLESS OTHERWISE SPECIFIED:
DIMENSIONS ARE IN MM (MILLIMETERS).
SURFACE FINISH:
TOLERANCES:

	NAME	DATE
DRAWN	Darryl Wilson	04.01.16
CHK'D		
APPVD		

MATERIAL:
Steel

HEAT TREATMENT:

TITLE:
Captive U-Nut

DESIGN RIGHT. TR FASTENINGS LTD, 2003
UNDER NO CIRCUMSTANCES MUST THIS
DRAWING BE COPIED OR DISCLOSED
WITHOUT FIRST OBTAINING WRITTEN
AUTHORITY.

CUSTOMER PART NUMBER:
N/A

FINISH:
TC1D - Commercial Zinc/Clear Trivalent
De-Embrittle

DRAWING NUMBER:
TR32UNST-Z100

A4

