

SMA Straight Bulkhead Jack Receptacle

**RoHS
Compliant**

Specifications

Electrical

Frequency Range : DC – 18GHz
 Nominal Impedance : 50Ω
 Voltage Rating : 500V Max.
 VSWR : 1.23 Max.

Material

Body : Brass, 3μ" Gold Plated
 Center Contact : Beryllium Copper, 50μ" Gold Plated
 Insulation : PTFE
 Washer : Brass, Gold Plated
 Nut : Brass, Gold Plated

Mechanical

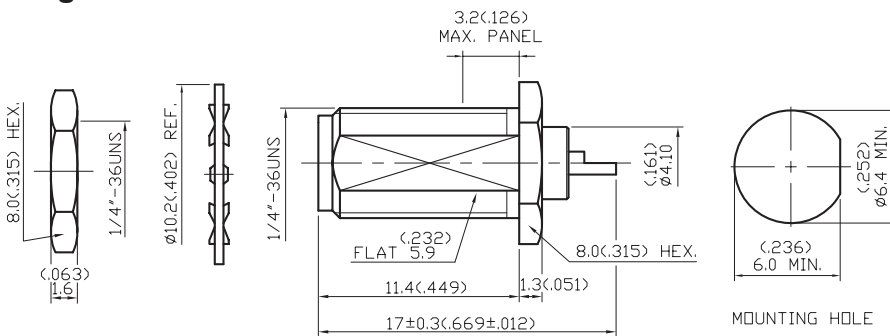
Interface in Accordance with : MIL-STD-348A

Environmental

Temperature Range : -65°C to +165°C



Diagram



Dimensions : Millimetres (Inches)

Part Number Table

Description	Part Number
SMA Straight Bulkhead Jack Receptacle, 50Ω	19-16-3-TGG

Important Notice : This data sheet and its contents (the "Information") belong to the members of the Premier Farnell group of companies (the "Group") or are licensed to it. No licence is granted for the use of it other than for information purposes in connection with the products to which it relates. No licence of any intellectual property rights is granted. The Information is subject to change without notice and replaces all data sheets previously supplied. The Information supplied is believed to be accurate but the Group assumes no responsibility for its accuracy or completeness, any error in or omission from it or for any use made of it. Users of this data sheet should check for themselves the Information and the suitability of the products for their purpose and not make any assumptions based on information included or omitted. Liability for loss or damage resulting from any reliance on the Information or use of it (including liability resulting from negligence or where the Group was aware of the possibility of such loss or damage arising) is excluded. This will not operate to limit or restrict the Group's liability for death or personal injury resulting from its negligence. Multicomp is the registered trademark of the Group. © Premier Farnell Limited 2016.

www.element14.com
 www.farnell.com
 www.newark.com