

M Type Nylon Cable Glands

pro-POWER

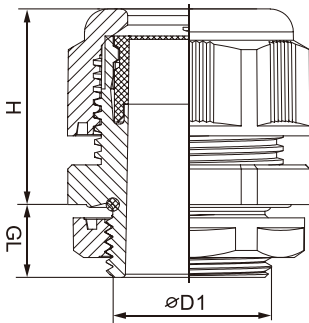
RoHS
Compliant

Specifications

Material	: PA (Nylon), UL 94 V-2
Hermetic Seal	: NBR
O-Ring	: EPDM
Protection Degree	: IP68
Working Temperature	: -40°C to 100°C in static state Instantaneous heat resistance up to 120°C -20°C to 80°C in dynamic state Instantaneous heat resistance up to 100°C
Colour	: Black, Grey and White
IP Rating	: IP68 / IP69K



Dimensions



Part Number	Thread ØD1	∅* mm	H mm	GL mm	⌀ mm
PP001673	M12 × 1.5	3-6.5	21	8	15
PP001674	M16 × 1.5	4-8	22	8	19
PP001675	M20 × 1.5	6-12	27	9	24
PP001676	M25 × 1.5	13-18	31	11	33
PP001677	M32 × 1.5	18-25	39	11	42
PP001678	M12 × 1.5	3-6.5	21	8	15
PP001679	M16 × 1.5	4-8	22	8	19
PP001680	M20 × 1.5	6-12	27	9	24
PP001681	M25 × 1.5	13-18	31	11	33
PP001682	M32 × 1.5	18-25	39	11	42
PP002120	M12 × 1.5	3-6.5	21	8	15
PP002121	M16 × 1.5	4-8	22	8	19
PP002122	M20 × 1.5	6-12	27	9	24
PP002123	M25 × 1.5	13-18	31	11	33
PP002124	M32 × 1.5	18-25	39	11	42

Part Number Table

Description	Colour	Part Number
Nylon Cable Glands, M12 × 1.5, 3-6.5mm	Black	PP001673
Nylon Cable Glands, M16 × 1.5, 4-8mm		PP001674
Nylon Cable Glands, M20 × 1.5, 6-12mm		PP001675
Nylon Cable Glands, M25 × 1.5, 13-18mm		PP001676
Nylon Cable Glands, M32 × 1.5, 18-25mm		PP001677
Nylon Cable Glands, M12 × 1.5, 3-6.5mm	Grey	PP001678
Nylon Cable Glands, M16 × 1.5, 4-8mm		PP001679
Nylon Cable Glands, M20 × 1.5, 6-12mm		PP001680
Nylon Cable Glands, M25 × 1.5, 13-18mm		PP001681
Nylon Cable Glands, M32 × 1.5, 18-25mm		PP001682
Nylon Cable Gland, M12 × 1.5, 3-6.5mm, PK10	White	PP002120
Nylon Cable Gland, M16 × 1.5, 4-8mm, PK10		PP002121
Nylon Cable Gland, M20 × 1.5, 6-12mm, PK10		PP002122
Nylon Cable Gland, M25 × 1.5, 13-18mm, PK5		PP002123
Nylon Cable Gland, M32 × 1.5, 18-25mm, PK5		PP002124

Important Notice : This data sheet and its contents (the "Information") belong to the members of the Premier Farnell group of companies (the "Group") or are licensed to it. No licence is granted for the use of it other than for information purposes in connection with the products to which it relates. No licence of any intellectual property rights is granted. The Information is subject to change without notice and replaces all data sheets previously supplied. The Information supplied is believed to be accurate but the Group assumes no responsibility for its accuracy or completeness, any error in or omission from it or for any use made of it. Users of this data sheet should check for themselves the Information and the suitability of the products for their purpose and not make any assumptions based on information included or omitted. Liability for loss or damage resulting from any reliance on the Information or use of it (including liability resulting from negligence or where the Group was aware of the possibility of such loss or damage arising) is excluded. This will not operate to limit or restrict the Group's liability for death or personal injury resulting from its negligence. pro-POWER is the registered trademark of the Group. © Premier Farnell Limited 2016.