

### Pt100 Probe, PTFE Lead

Pt100 sensing resistor in stainless steel sheath, PTFE insulated extension lead

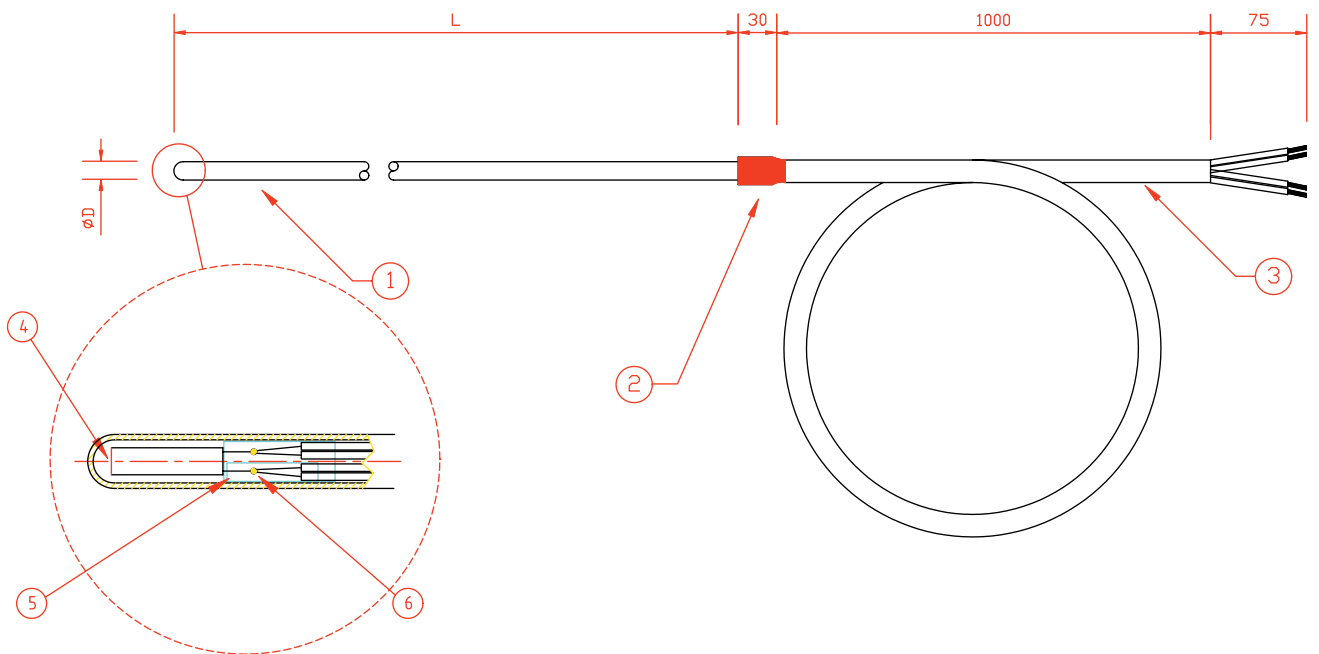
#### Specifications

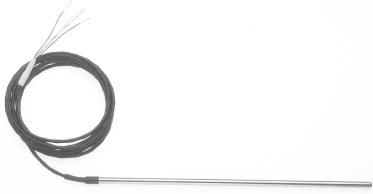
Sensor type	Pt100 Class B, 4 wire to IEC 60751
Probe material	Stainless steel, welded tip
Tip temperature rating	-50°C to 250°C
Termination	Flying lead & tails
Extension cable	PTFE insulated screened, 4 core, 1 metre

#### Dimensions & Codes

Probe length	Probe dia.	Lab Code
150mm	3mm	XF-314-FAR
250mm	3mm	XF-315-FAR

Data Ref: FAR1





### Pt100 Probe, Mineral Insulated, PTFE Lead

Pt100 sensing resistor in flexible, mineral insulated, stainless steel sheath, PTFE insulated extension lead

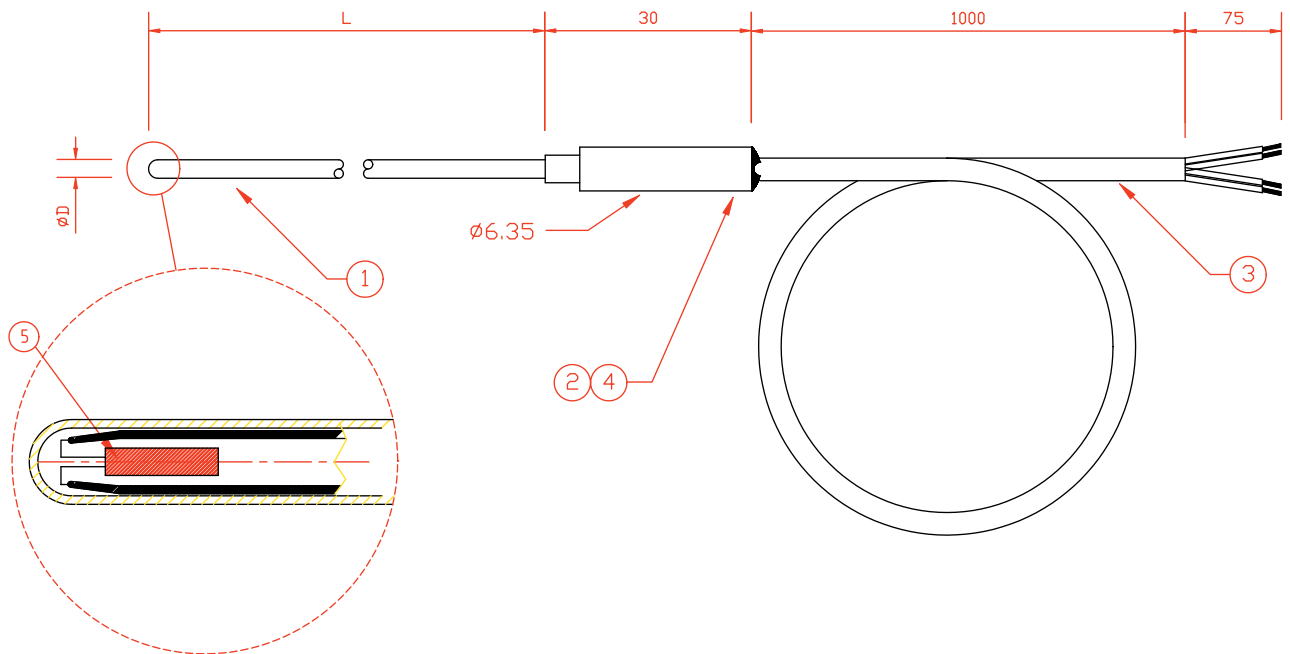
#### Specifications

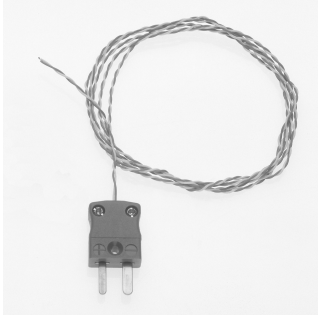
Sensor type	Pt100, class B, 4 wire to IEC60751
Probe material	Stainless steel 310, mineral insulated conductors, welded tip
Tip temperature rating	-50°C to 500°C
Termination	Flying lead & tails
Extension cable	PTFE insulated, screened, 4 core, 1 metre

#### Dimensions & Codes

Probe length	Probe dia.	Lab Code
3mm	150mm	XF-316-FAR
3mm	250mm	XF-317-FAR
6mm	150mm	XF-318-FAR
6mm	250mm	XF-319-FAR

Data Ref: FAR2





### Exposed, Welded Tip Thermocouples with Fitted Mini-Plugs

Types J,K & T, PTFE insulated thermocouple wire with welded junction and fitted miniature plug

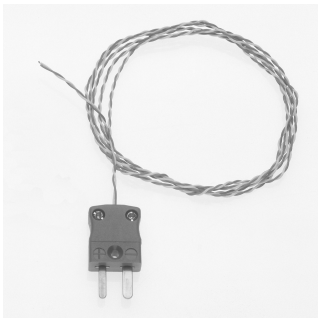
#### Specifications

Sensor type	Thermocouple type J,K or T to IEC 60584. Exposed, Welded junction.
Tip temperature Rating	-75°C to 250°C (limited by PTFE insulation properties)
Wire type	Twin, twist pair, PTFE insulated over 1/0.2mm conductors, 1 metre
Termination	Colour coded miniature plug

#### Dimensions & Codes

Thermocouple Type	Lab Code
Type J x 1m	XF-320-FAR
Type K x 1m	XF-321-FAR
Type T x 1m	XF-322-FAR

Data Ref: FAR3



### Exposed, Welded Tip Thermocouple with fitted Mini-plugs

Types J & K, Glassfibre insulated thermocouple wire with welded junction and fitted miniature plug

#### Specifications

Sensor Type	Thermocouple type J or K to IEC60584. Exposed, welded junction.
Tip temperature Rating	-50°C to +350°C (limited by glassfibre insulation properties)
Wire type	Twin, twist pair, silicone varnished glassfibre insulated over 1/0.315mm conductors, 2 metre
Termination	Colour coded miniature plug

#### Dimension & Codes

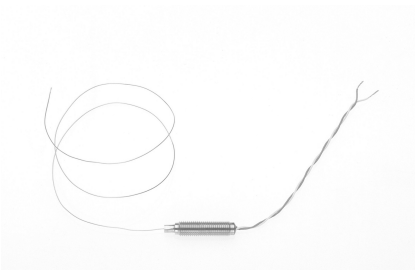
Thermocouple type	Lab Code
Type J x 2m	XF-323-FAR
Type K x 2m	XF-324-FAR

Data Ref: FAR4



## Industrial, Mineral Insulated Thermocouples

Type K, Mineral insulated, flexible, stainless steel sheathed thermocouple probe with PTFE insulated tails



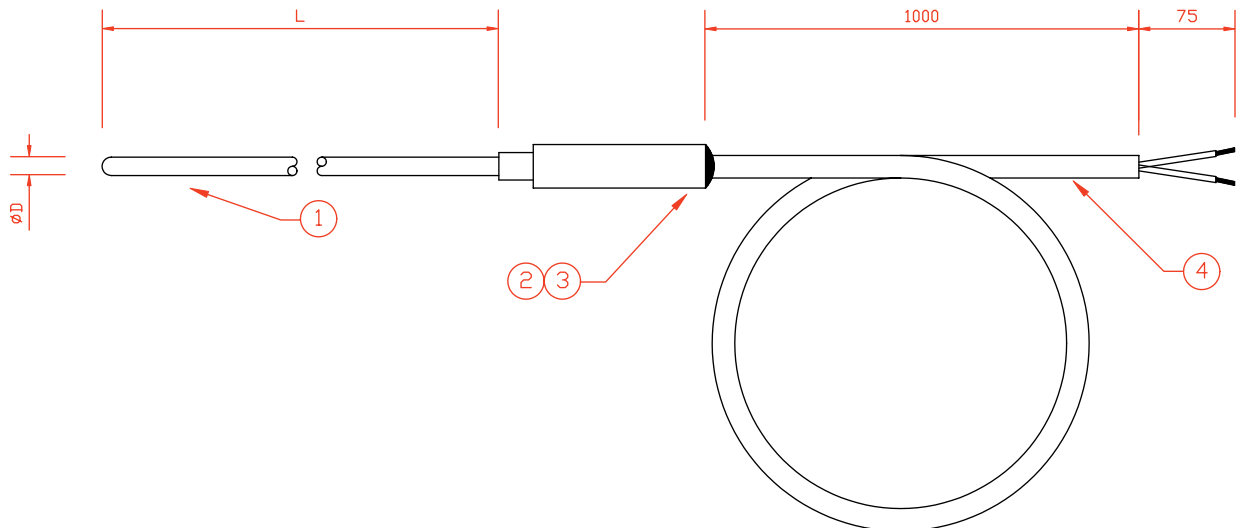
### Specifications

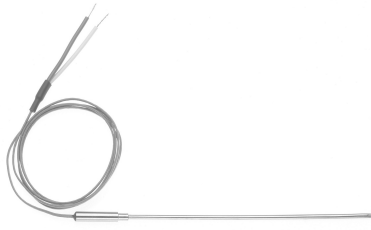
Sensor Type	Thermocouple type K to IEC60584
Probe material	310 stainless steel with welded tip. Mineral insulated conductors with insulated junction
Tip temperature Rating	-40°C to 1100°C
Probe termination	Pot seal, M8 x 1.0mm thread, 25mm long
Pot temperature Rating	200°C maximum
Termination lead	PTFE insulated tails, 7/0.2mm, 100mm long

### Dimensions & Codes

Probe dia (mm)	Probe length (mm)	Lab Code
0.5	250	XF-327-FAR
0.5	500	XF-328-FAR </td

Data Ref: FAR5a





## Industrial, Mineral Insulated Thermocouples, PTFE lead

Type K, mineral insulated, flexible, stainless steel sheathed thermocouple probe with PTFE insulated extension lead

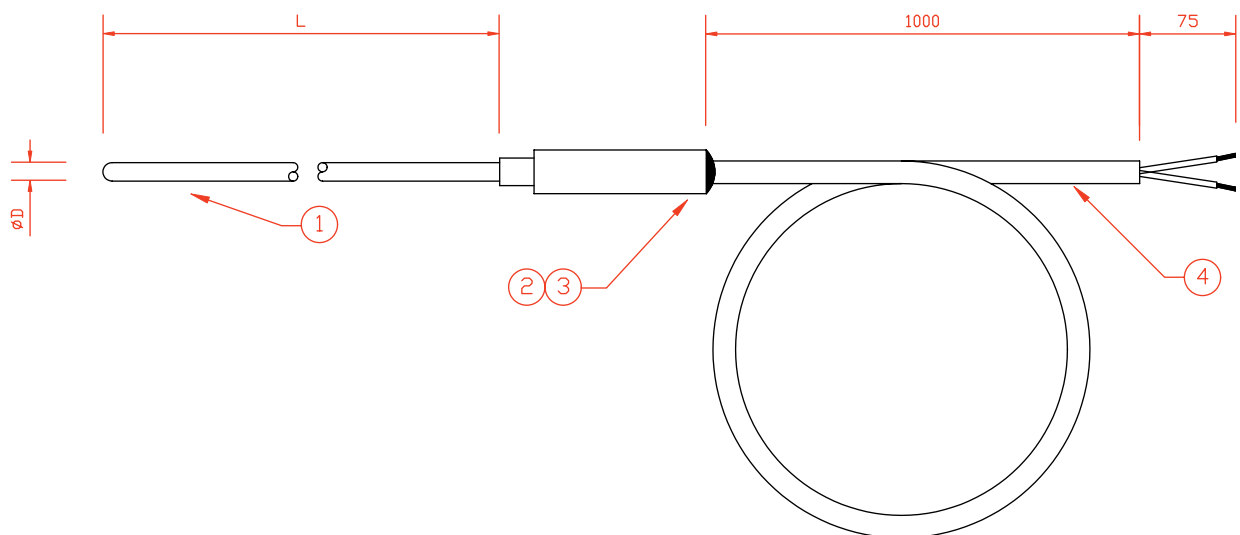
### Specifications

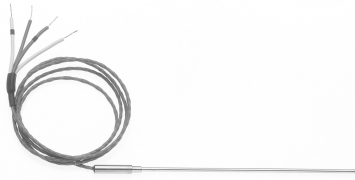
Sensor Type	Thermocouple type K to IEC 60584
Probe Material	310 stainless steel with welded tip. Mineral insulated conductors with insulated junction
Tip Temperature Rating	-40°C to 1100°C
Probe termination	Plain pot seal
Pot temperature Rating	180°C
Termination	Flying lead & tails; PTFE insulated, 7/0.2mm, 1 metre

### Dimensions and Codes

Probe dia (mm)	Probe length (mm)	Lab Code
1.5	150	XF-329-FAR
1.5	250	XF-330-FAR
3.0	150	XF-331-FAR
3.0	250	XF-332-FAR
6.0	150	XF-333-FAR
6.0	250	XF-334-FAR

Data Ref: FAR5b





## Duplex, Industrial, Mineral Insulated Thermocouples, PTFE Lead

Dual element, Type K, mineral insulated, flexible stainless steel sheathed thermocouple probe with PTFE insulated extension lead

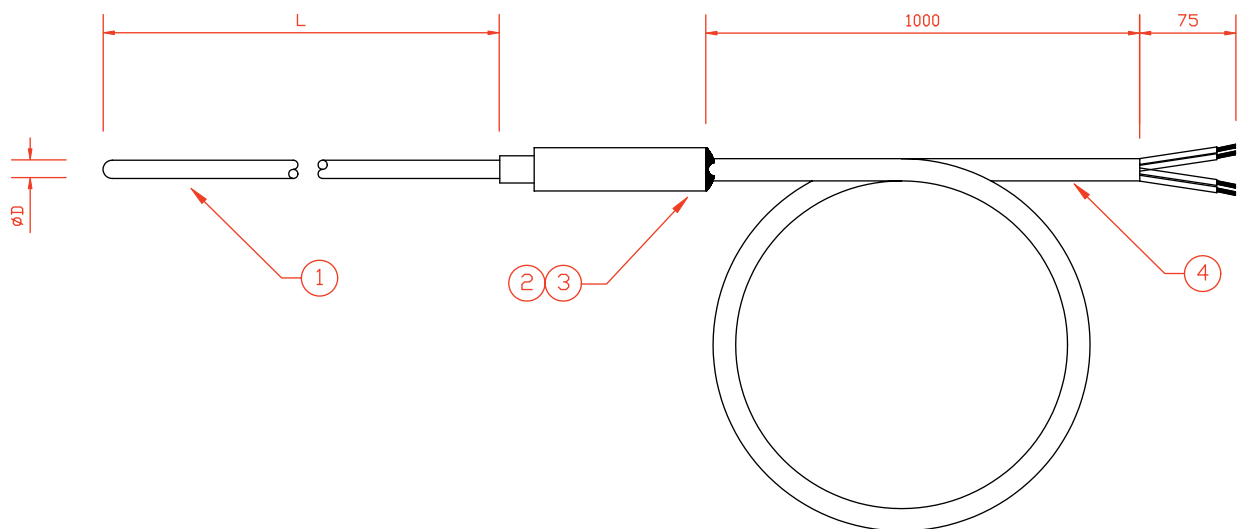
### Specifications

Sensor Type	Thermocouple type K to IEC 60584
Probe material	310 stainless steel with welded tip. Mineral insulated conductors with dual, insulated junctions
Tip temperature Rating	-40°C to +1100°C
Probe termination	Plain pot seal
Pot temperature Rating	180°C
Termination	Flying lead & tails; PTFE insulated, 7/0.2mm, 1 metre

### Dimensions & Codes

Probe dia (mm)	Probe length (mm)	Lab Code
3.0	150	XF-335-FAR
3.0	250	XF-336-FAR
6.0	150	XF-337-FAR
6.0	250	XF-338-FAR

Data Ref: FAR6





## Industrial Mineral Insulated Thermocouples, fitted miniature plug

Type K, mineral insulated, flexible, stainless steel sheathed thermocouple probe directly terminated in a miniature plug

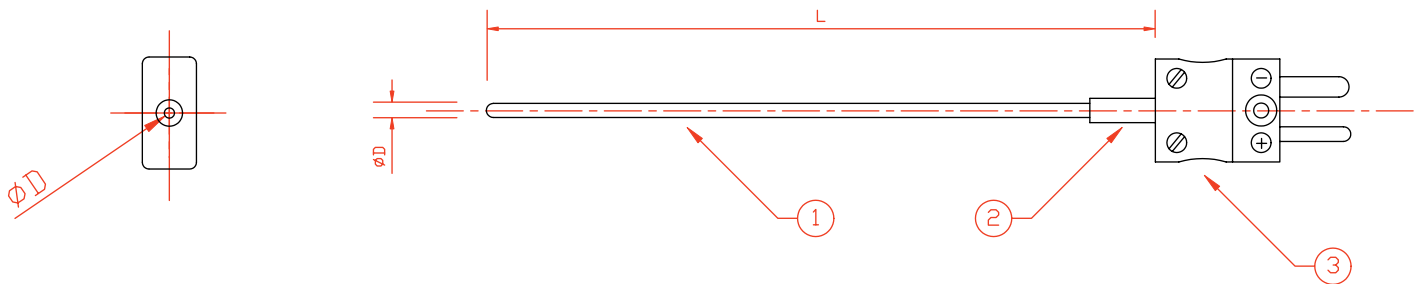
### Specifications

Sensor Type	Thermocouple type K to IEC 60584
Probe material	310 stainless steel with welded tip. Mineral insulated conductors with insulated junction.
Tip Temperature Rating	-40°C to 1100°C
Probe termination	Fitted miniature compensating plug
Termination Temperature rating	220°C max.

### Dimensions & Codes

Probe dia (mm)	Probe length (mm)	Lab Code
0.5	150	XF-339-FAR
0.5	250	XF-340-FAR
1.5	150	XF-341-FAR
1.5	250	XF-342-FAR
3.0	150	XF-343-FAR
3.0	250	XF-344-FAR

Data Ref: FAR7





## Industrial, Mineral Insulated Thermocouples, fitted standard plug

Type K, mineral insulated, flexible, stainless steel sheathed thermocouple probe directly terminated in a standard plug

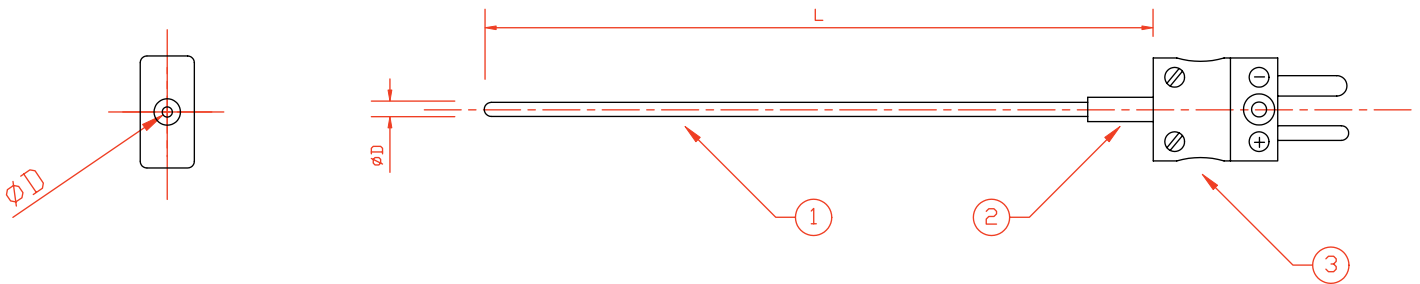
### Specifications

Sensor Type	Thermocouple type K to IEC60584
Probe material	310 stainless steel with welded tip. Mineral Insulated conductors with insulated junction
Tip temperature Rating	-40°C to +1100°C
Probe termination	Fitted standard compensating plug
Termination Temperature rating	220°C max

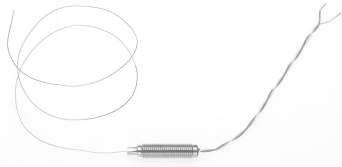
### Dimensions & Codes

Probe dia (mm)	Probe length (mm)	Lab Code
1.5	150	XF-345-FAR
1.5	250	XF-346-FAR
3.0	150	XF-347-FAR
3.0	250	XF-348-FAR
6.0	150	XF-349-FAR
6.0	250	XF-350-FAR

Data Ref: FAR8







## Industrial Mineral Insulated Thermocouple with Grounded Junction

Type K, mineral insulated flexible stainless steel sheathed thermocouple probe with grounded junction (welded to tip). PTFE tails

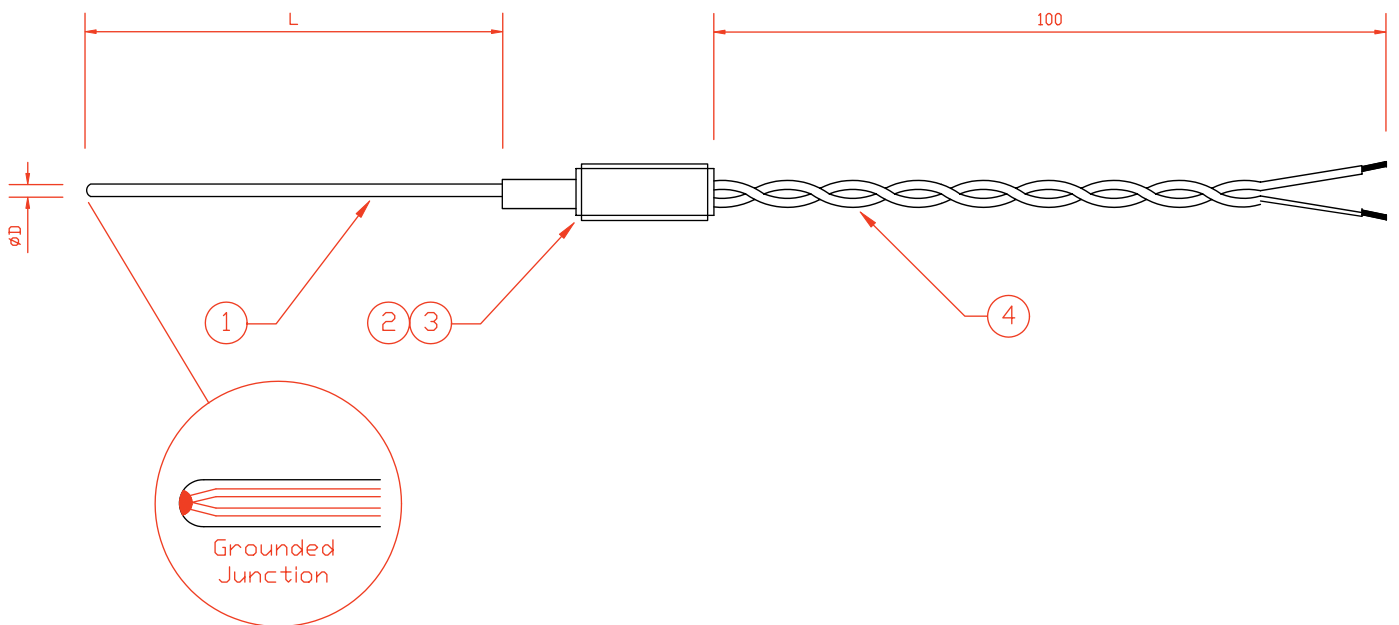
### Specification

Sensor Type	Thermocouple type K to IEC 60584
Probe material	310 stainless steel with welded tip. Mineral Insulated conductors with grounded junction
Tip temperature Rating	-40°C to +1100°C
Probe termination	Pot seal, M8 x 1.0mm thread, 25mm long
Pot temperature Rating	200°C max
Termination lead	PTFE insulated tails, 7/0.2mm, 100mm long

### Dimensions & Codes

Probe dia (mm)	Probe length (mm)	Lab Code
0.5	150	XF-351-FAR
0.5	250	XF-352-FAR
0.5	500	XF-353-FAR

Data Ref: FAR9





## Industrial Mineral Insulated Thermocouples, with Grounded Junction & Fitted Miniature Plug

Type K, mineral insulated, flexible, stainless steel sheathed thermocouple probe with grounded junction (welded to tip) and fitted miniature plug

### Specification

Sensor Type	Thermocouple type K to IEC 60584
Probe material	310 stainless steel with welded tip. Mineral insulated conductors with grounded junction
Tip temperature Rating	-40°C to +1100°C
Probe termination	Fitted, miniature compensating plug
Termination Temperature rating	220°C max

### Dimensions & Codes

Probe dia (mm)	Probe length (mm)	Lab Code
0.5	150	XF-354-FAR
0.5	250	XF-355-FAR

Data Ref: FAR10

