

Kraftform Kompakt Zyklus MS1 Metal/Speed 1/4", 8 pieces

The Zyklus Speed Ratchets, 1/4"



EAN:	4013288178633	Size:	205x110x60 mm
Part number:	05135949001	Weight:	772 g
Article number:	Kraftform Kompakt Zyklus MS1 Metal/Speed 1/4	Country of origin:	CZ
		Customs tariff number:	82041100



- Incredibly fast 1/4" Zyklus Speed ratchet with pivoting ratchet head and 5 predefined locking positions
- Extremely slim Zyklus Metal ratchet with long lever
- Return angle of only 5°
- Convenient direction change thanks to switchover lever
- Set in robust textile box

Web link

http://products.wera.de/en/zyklus_ratchets_and_accessories_the_zyklus_ratchets_the_zyklus_ratchets_1_4_the_zyklus_speed_ratchets_1_4_kraftform_kompakt_zyklus_ms1

Wera - Kraftform Kompakt Zyklus MS1 Metal/Speed 1/4
05135949001 - 4013288178633

Wera Werkzeuge GmbH
Korzter Straße 21-25
D-42349 Wuppertal
Tel: +49 (0)2 02 / 40 45-0
E-Mail: info@wera.de

The Zyklus Speed Ratchets, 1/4"

Compact Ratchet set with 2 1/4" ratchets, Zyklus Speed and Zyklus Metal with switchover lever as well as 6 accessories. Zyklus Speed ratchet with flywheel design and easy-to-grip, free-turning sleeve for high working speeds; freely pivoting ratchet head; predefined locking at 0° and 90° to the left and right as well as 15° from 90° inwards; can be used as a conventional screwdriver in its 0° position; secure locking of the sockets also in the screwdriving position; left/right switchover; fine-toothed; small return angle of 5°; multi-component Kraftform handle for low-fatigue working. Zyklus Metal ratchet with switchover lever; Zyklus Metal ratchet with switchover lever; slim design for work in even very confined spaces; the 72 fine-pitched teeth allow a small return angle of 5°; switchover lever for convenient direction change; secure socket locking function; forged, full metal ratchet (chrome-molybdenum steel) for particularly high robustness and long service life; incredibly compact arrangement: many tools in a minimum of space; extremely compact textile box that is very robust and durable; can be positioned upright in workshop shelf for tidy storage; can be set down on sensitive surfaces thanks to the textile outer material; low weight and volume for simplified mobility.

Web link


http://products.wera.de/en/zyklus_ratchets_and_accessories_the_zyklus_ratchets_the_zyklus_ratchets_1_4_the_zyklus_speed_ratchets_1_4_kraftform_kompakt_zyklus_ms1_

Wera - Kraftform Kompakt Zyklus MS1 Metal/Speed 1/4
05135949001 - 4013288178633

Wera Werkzeuge GmbH
Korzter Straße 21-25
D-42349 Wuppertal
Tel: +49 (0)2 02 / 40 45-0
E-Mail: info@wera.de

The Zyklus Speed Ratchets, 1/4"

Set contents:

	8000 A 05003500001 1 x 1/4"x152.0		8004 A 05004004001 1 x 1/4"x141.0
	8796 LA 05003531001 1 x 1/4"x150.0		8794 LA 05003526001 1 x 1/4"x150.0
	8794 SA 05003525001 1 x 1/4"x75.0		8784 A1 05003529001 1 x 1/4"x37.0
	8794 A 05003527001 1 x 1/4"x56.0		8795 A 05003528001 1 x 1/4"x35.5

Zyklus "6 in 1"



Incredibly fast 1/4" Zyklus Speed ratchet with pivoting ratchet head and 5 predefined locking positions



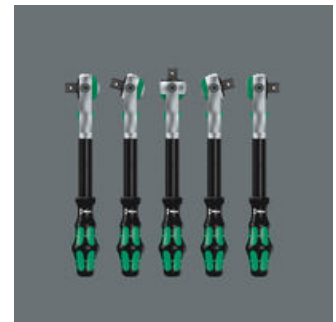
1. Fine-tooth ratchet 2. Flex-head ratchet 3. Angle ratchet 4. Quick-release ratchet 5. Power ratchet 6. Screwdriver

Fast movers



The Zyklus Speed ratchets are really fast movers. The gyrating mass design means that screwdriving is accelerated. The rotation-symmetric structure of the Kraftform handle and the free-turning sleeve reinforce this rapid twisting process, particularly when the ratchet does not engage due to too little resistance in the thread.

Pivots freely



The ratchet head pivots freely and can be locked into any defined position by using the slide switch that is positioned on either side. It is even possible to work in very confined and difficult-to-access areas with enhanced hand clearance. The predefined locking at 0°, 15° and 90°, both to the right and left, ensure safe working without any slipping of the ratchet head.

Web link

http://products.wera.de/en/zyklus_ratchets_and_accessories_the_zyklus_ratchets_the_zyklus_ratchets_1_4_the_zyklus_speed_ratchets_1_4_kraftform_kompakt_zyklus_ms1_

Wera - Kraftform Kompakt Zyklus MS1 Metal/Speed 1/4
05135949001 - 4013288178633

Wera Werkzeuge GmbH
Korzter Straße 21-25
D-42349 Wuppertal
Tel: +49 (0)2 02 / 40 45-0
E-Mail: info@wera.de

The Zyklus Speed Ratchets, 1/4"

Zyklus Metal Switch

Reversible

Small return angle

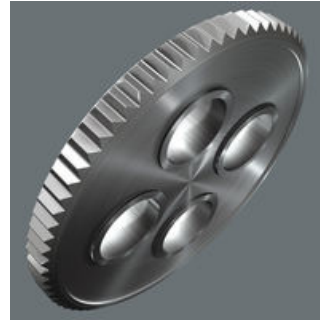
Textile boxes



Due to the ever-more confined working environment, space is becoming more and more an issue for the application of ratchets. Our product developers therefore intensively occupied themselves with the issue of confined working spaces, and Wera has now solved this problem. The extremely slim and robust Zyklus Metal ratchet with a long lever was what emerged. When the change in direction needs to be quick, the Zyklus Metal Switch ratchet is the right tool. When the socket must not get lost and a coincidental change of direction has to be avoided at all cost, the Zyklus Metal Push is the correct choice.



Switch lever for convenient change of direction.



Fine-pitched with 72 teeth for a return angle of only 5°



The textile boxes offer dramatically improved portability, and are space-saving to boot! This means you can now carry the same collection of tools, in a much more compact and comfortable package. The hassle of running back and forth for the right tools has now become a thing of the past. And the much lower weight of a set makes carrying more convenient than ever before. The textile box including the tool will even survive a fall undamaged.

Web link

http://products.wera.de/en/zyklus_ratchets_and_accessories_the_zyklus_ratchets_the_zyklus_ratchets_1_4_the_zyklus_speed_ratchets_1_4_kraftform_kompakt_zyklus_ms1_

Wera - Kraftform Kompakt Zyklus MS1 Metal/Speed 1/4
05135949001 - 4013288178633

Wera Werkzeuge GmbH
Korzter Straße 21-25
D-42349 Wuppertal
Tel: +49 (0)2 02 / 40 45-0
E-Mail: info@wera.de