

Signal-Quick™ Sensor Mounting Accessories

Cushioned Sensor Mounts

Sensor Mounts

Install tubular proximity sensors with a Cushioned Sensor Mount and protect against over-travel damage. Reduces replacement expenses and downtime.

Hubbell's Cushioned Sensor Mounts feature:

- Spring-loaded housing eliminates impact damage.
- Reduces downtime & replacement expenses.
- Reduces spare sensor inventories.
- Shielded & non-shielded end caps eliminate abrasion damage.
- Block style or threaded housing designs.
- Anodized aluminum or stainless steel.

When something out of the ordinary happens or targets over-travel, the sensor simply retracts to avoid damage. The sensor returns to its original position and the equipment continues to operate.

Specifications

Material:	Anodized aluminum housing Zinc-plated brass jam nuts CSM12LP is all Stainless Steel
-----------	---



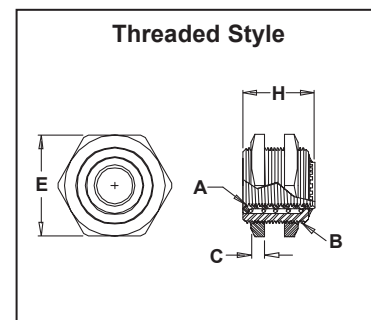
Threaded style



Block style

Threaded Style

Catalog No.	A	B	C	E	H
CSM8	M8 x 1	M16 x 1.5	0.12 (3.1)	0.87 (22.1)	0.87 (22.1)
CSM12LP	M12 x 1	M18 x 1	0.16 (4.1)	0.95 (24)	0.83 (21.1)
CSM18	M18 x 1	M30 x 1.5	0.20 (5.1)	1.41 (35.8)	1.17 (29.7)
CSM30	M30 x 1.5	M47 x 1.5	0.20 (5.1)	2.01 (51)	1.47 (37.3)



Block Style

Catalog No.	A	B	C	E	H	K	L	M
BCSM8	M8 x 1	0.75 (19)	0.37 (9.5)	0.62 (15.8)	0.87 (22.1)	0.72 (18.4)	1.0 (25.4)	0.14 (3.6)
BCSM12	M12 x 1	0.75 (19)	0.37 (9.5)	1.0 (25.4)	0.87 (22.1)	0.98 (24.8)	1.5 (38.1)	0.20 (5.2)
BCSM18	M18 x 1	1.0 (25.4)	0.50 (12.7)	1.25 (31.7)	1.17 (29.7)	1.21 (30.7)	1.5 (38.1)	0.18 (4.6)
BCSM30	M30 x 1.5	1.38 (34.9)	0.68 (17.5)	2.0 (50.8)	1.47 (37.4)	2.03 (51.5)	2.5 (63.5)	0.26 (6.7)

