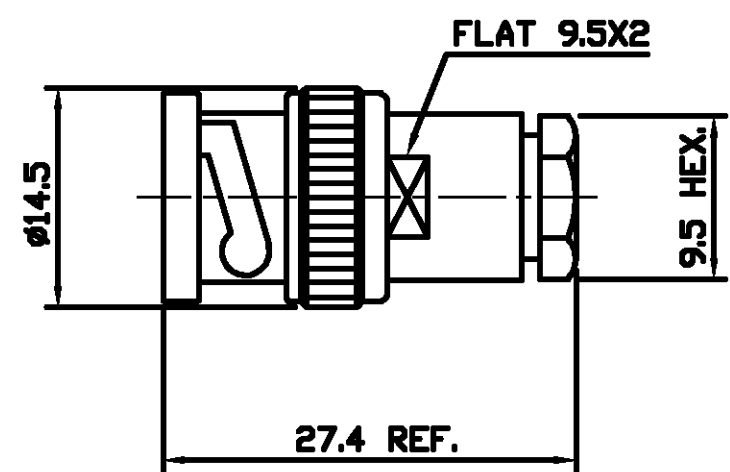


THIS DRAWING IS UNPUBLISHED. RELEASED FOR PUBLICATION 18.12.00, 18.12.00
 © COPYRIGHT 2001 BY TYCO ELECTRONICS CORPORATION. ALL RIGHTS RESERVED.

LOC		DIST		REVISIONS			
P	LTR	DESCRIPTION		DATE	DWN	APVD	
	A	RELEASE FOR PRODUCTION		18.12.00	RS	RG	



△ SUPPLIED SEMI-ASSEMBLED (PACK CONTAINS LOOSE PIECES)
 VIEW SHOWS ASSEMBLED CONNECTOR (CABLE OMITTED)
 FOR CABLE TO CONNECTOR ASSEMBLY GUIDANCE
 REFER TO TYCO INSTRUCTION SHEET I.S 411 - 3253

ALL DIMENSIONS ARE NOMINAL. FOR REFERENCE ONLY.

DIE SET PART NUMBER	N/A
HANDTOOL PART NUMBER	N/A
FOR USE ON CABLES	RG174A/U, 188A/U, 316/U, URM95
CONNECTOR PLATING DETAIL	SILVER
CONTACT PLATING DETAIL	SILVER
DIELECTRIC MATERIAL	TEFLON
GASKET MATERIAL	WHITE SILICONE RUBBER

BAG	SINGLE ITEM	1-1478154-0
PACK TYPE	DESCRIPTION	PART NUMBER

THIS DRAWING IS A CONTROLLED DOCUMENT.		DWN R SMITH 18.12.00	Tyco Electronics Corporation Stanmore, Middlesex, HA7 4RS	
DIMENSIONS: MM		CHK R GOODALL 18.12.00	NAME BNC STRT PLUG SOLDER RG174 50 OHM	
TOLERANCES UNLESS OTHERWISE SPECIFIED:		APVD R GOODALL 18.12.00	PRODUCT SPEC 108-3435	
0 PLC ± -		APPLICATION SPEC -		
1 PLC ± -		SIZE A3		
2 PLC ± -		CAGE CODE 00779		
3 PLC ± -		DRAWING NO C-1478154		
4 PLC ± -		RESTRICTED TO -		
ANGLES ± -		SCALE NTS		
MATERIAL -	FINISH -	WEIGHT -		SHEET 1 OF 1
CUSTOMER DRAWING				REV A