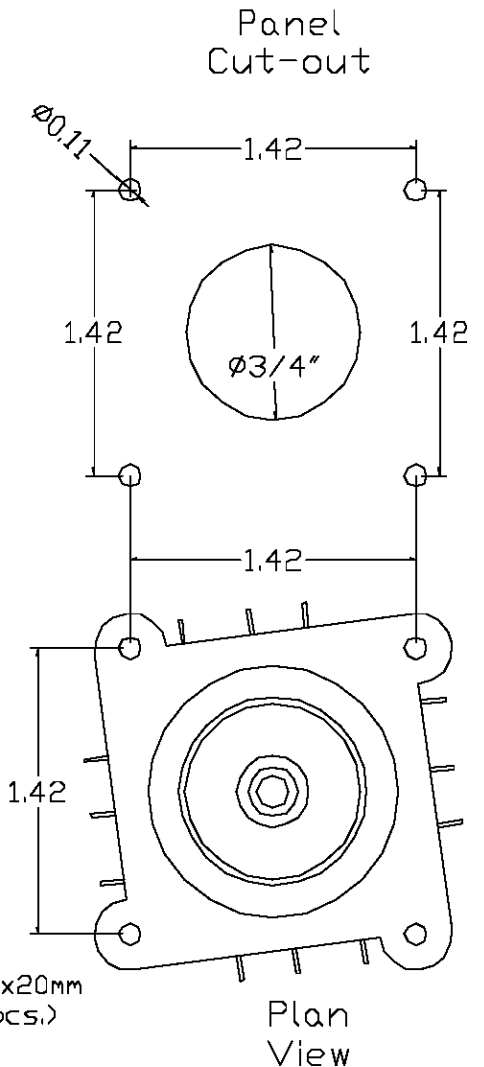
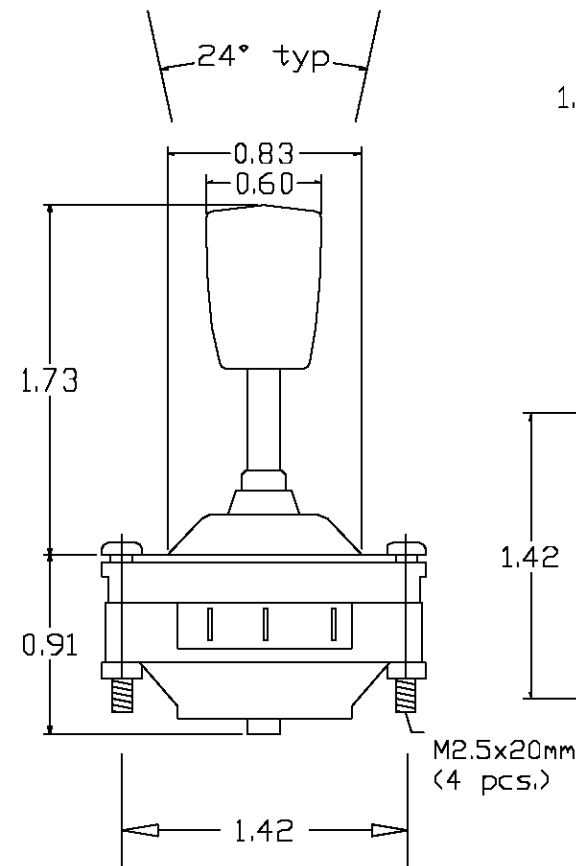
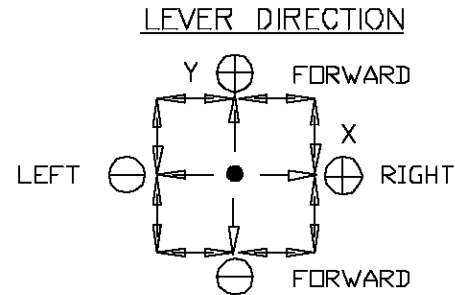
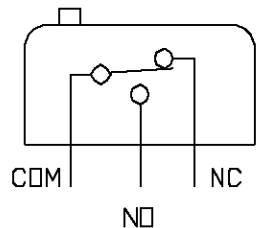


ELECTRICAL CHARACTERISTICS.

SWITCH TYPE — — — — V4
 NO. OF SWITCHES — — — — 4 OR 8
 NOMINAL CURRENT — — — — 5 AMP
 MAX VOLTAGE — — — — 250 VAC
 CONTACT LIFE — — — — LOAD DEPENDANT
 TERMINATION — — — — SOLDER
 OPERATING TEMPERATURE — — — — -20°C - +50°C
 MECHANICAL LIFE — — — — > 5 MILLION OPERATIONS
 LEVER TRAVEL — — — — ±12° FROM CENTER
 LEVER MATERIAL — — — — STAINLESS STEEL
 BODY MATERIAL — — — — MINERAL FILLED NYLON-6
 KNOB MATERIAL — — — — NYLON OR ALUMINUM
 BOOT MATERIAL — — — — VINYL
 ENVIRONMENTAL — — — — IP 65 ABOVE PANEL

SWITCH SCHEMATICS:

ETI
 SYSTEMS
 CARLSBAD
 CALIFORNIA

2251 LAS PALMAS DR.
 CARLSBAD, CA 92009
 PHONE: (760) 929-0749
 FAX: (760) 929-0748
 WWW.ETISYSTEMS.COM

TITLE

SWITCH
STICK

PART NO.

J1-00105