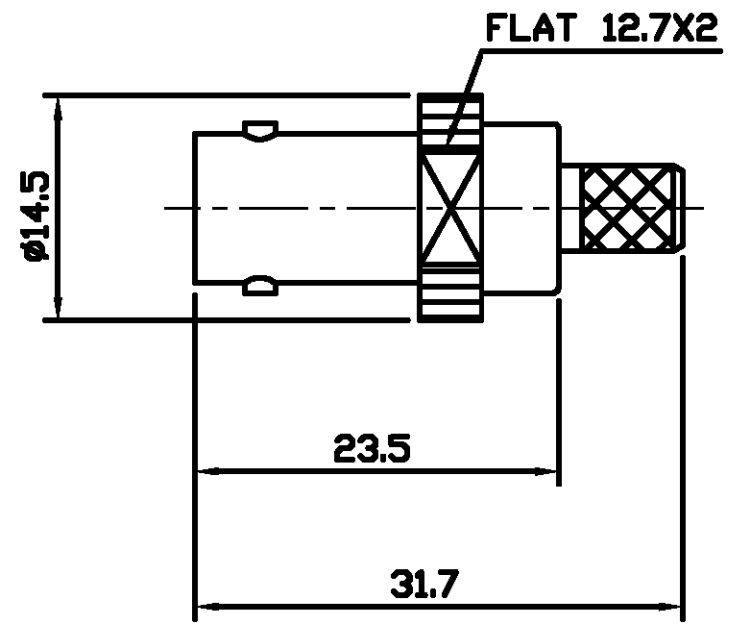


LOC	DIST	REVISIONS			
P	LTR	DESCRIPTION	DATE	DWN	APVD
E	B	A	RELEASE FOR PRODUCTION	18.12.00	RS RG



△ SUPPLIED SEMI-ASSEMBLED (PACK CONTAINS LOOSE PIECES)
 VIEW SHOWS ASSEMBLED CONNECTOR (CABLE OMITTED)
 FOR CABLE TO CONNECTOR ASSEMBLY GUIDANCE
 REFER TO TYCO INSTRUCTION SHEET I.S 411 - 3247

ALL DIMENSIONS ARE NOMINAL. FOR REFERENCE ONLY.

DIE SET PART NUMBER	9-1478245-0
HANDTOOL PART NUMBER	9-1478240-0
FOR USE ON CABLES	RG179B/U, 187A/U, URM111
CONNECTOR PLATING DETAIL	SILVER
CONTACT PLATING DETAIL	SILVER
DIELECTRIC MATERIAL	TEFLON
GASKET MATERIAL	N/A

BAG	SINGLE ITEM	1-1478064-0
PACK TYPE	DESCRIPTION	PART NUMBER

THIS DRAWING IS A CONTROLLED DOCUMENT.		DWN R SMITH 18.12.00	Tyco Electronics Corporation Stanmore, Middlesex, HA7 4RS	
DIMENSIONS: MM		CHK R GOODALL 18.12.00	NAME BNC STRT CRIMP JK RG179 75 OHM	
TOLERANCES UNLESS OTHERWISE SPECIFIED: 0 PLC ± - 1 PLC ± - 2 PLC ± - 3 PLC ± - 4 PLC ± - ANGLES ± -		APVD R GOODALL 18.12.00	PRODUCT SPEC 108-3435	
MATERIAL		FINISH	APPLICATION SPEC	RESTRICTED TO
-		-	WEIGHT	-
		CUSTOMER DRAWING		SCALE NTS
		SIZE A3	CAGE CODE 00779	DRAWING NO C-1478064
		SHEET 1 OF 1		REV A