



## Quick Set-up Guide

To install of your product, please read this guide manual carefully and completely.

### Slim Portable Blu-ray / DVD Writer WP50



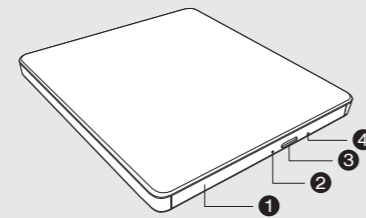
MFL67900060

## Installation

### Location and Functions

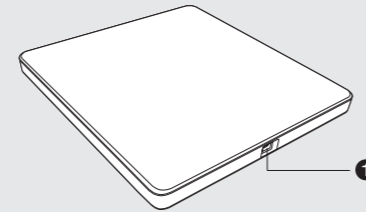
The drive's appearance and specifications may change without prior notice. This following is the general figure of the design of the drive.

#### Front View



- 1 Disc tray
  - 2 Drive activity indicator
  - 3 Eject Button
  - 4 Manual Emergency Eject Hole
- The emergency eject procedure should only be used to retrieve your disc if the drive fails to eject.
- Caution:**  
Shut down the power supply when this eject will be used.

#### Rear View



- 1 USB Connector (mini)  
This connector is used to connect to the USB 2.0 cable.

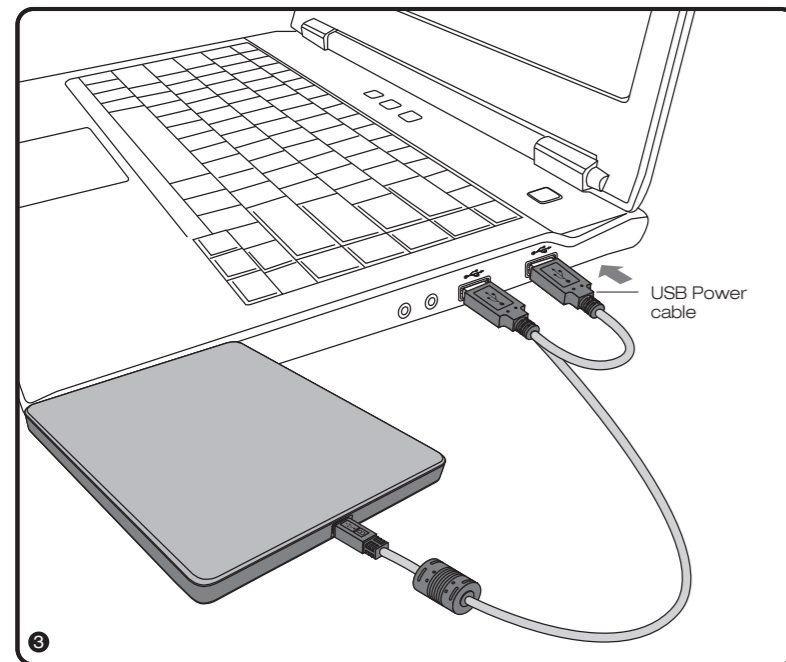
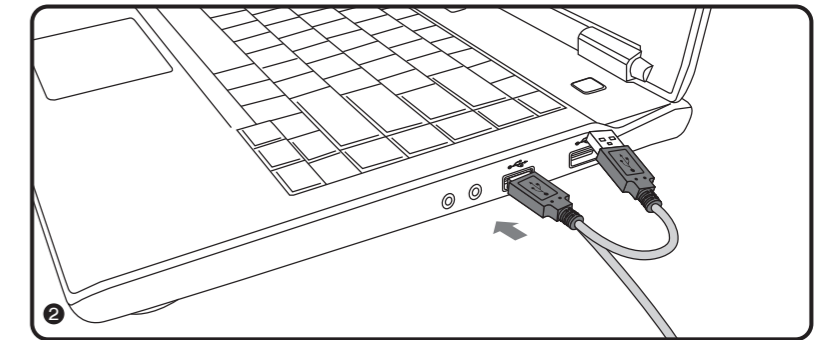
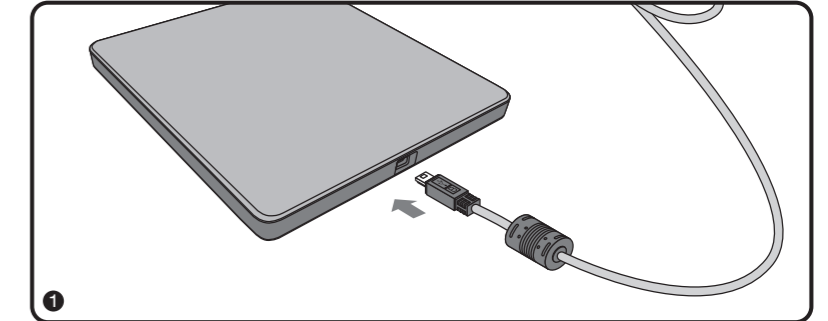
#### Notes:

- Please pay attention to handling Electrostatic Sensitive Devices, you may use anti-static products such as wrist straps, heel straps, mats to protect your body from electrostatic.
- Make sure you have a personal computer with any open USB ports before connecting the drive to your computer.

#### Connecting to computer or A/V Device.

- Connect the drive to the computer as shown in figure.
- ① Connect the USB 2.0 (Ytype) cable to the drive.
- ② Connect the other end of the USB 2.0 cable to your computer.
- ③ The drive may get its power from the PC USB power. All systems may not meet USB power requirements and full performance may not be achieved. In this case, connect to the USB power cable.

When the computer is ready, confirm that the drive is detected. And then, insert the supplied software CD into the drive and install the software.



#### Notes:

- Please do not connect the USB cables by any means other than specified above. Using the wrong type of cable with this drive can cause it to malfunction.
- The appliance is not intended for use by young children or infirm persons without supervision. Young Children should be supervised to ensure that they do not play with appliance.
- If the appliance is supplied from a cord extension set or an electrical portable outlet device, the cord extension set on electrical portable outlet device must be positioned so that it is not subject to splashing or ingress of moisture.

The drive supports both Windows and Mac®. To use it properly, please follow directions below.

#### How to Eject Disc from the drive

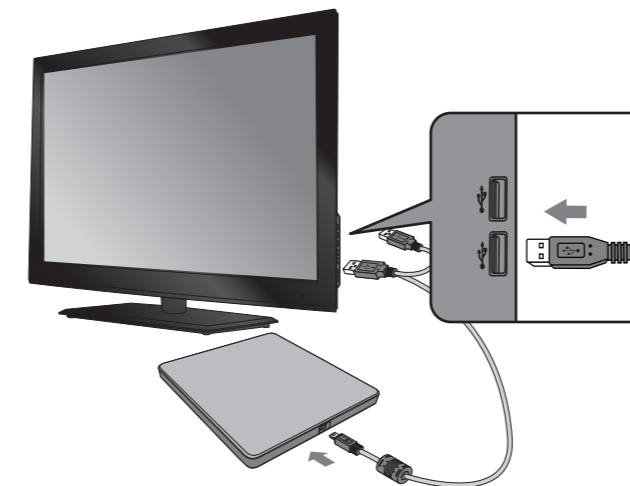
- When using with Mac
  - Click the eject button located on Mac OS menu or toolbar.
- When using with Windows
  - Press the eject button in the front of the product.
- \* Software CD (for Windows only)
  - The Software CD includes DVD software for usage for Windows.

#### Notes:

- An application included in the Mac OS must be used to play data records or DVD video discs through Mac OS.
  - When recording data: Finder Burn, iTunes must be used.
  - When playing a DVD movie disc: A DVD Player must be used.
- The Mac OS & Windows OS do not include an application that can play Blu-ray movie titles. Separate playback software for Mac OS must be used to play Blu-ray movie titles through Mac OS.
- DVD/Blu-ray movie titles cannot be recorded because of the copyright protection.

#### What is TV Connectivity?

TV Connectivity is a function that allows you to enjoy videos, pictures and music by connecting this product to a compatible A/V device (e.g.DIGITALTV, DIGITALPHOTO FRAME, PC) that supports USB connectivity.



#### How to Use TV Connectivity

- \* This product is defaulted to ODD mode when it is powered on.
- 1. With the tray open, press and hold the 'Eject'button for 2 seconds. (The LED indicator will turn on, switching to TV mode. Press and hold the button again for 2 seconds with the tray open to return to ODD mode).
- 2. Insert your supported media into the drive.  
The disc file system will be converted to FAT32 and will be recognized as USB flash memory.
- 3. Select and play the files from your A/V device to enjoy videos, pictures and music. Refer to your A/V device owner's manual for more information.

#### Notes:

- Normal operation is not guaranteed if you use a USB hub or unspecified USB extension cables. TV connectivity functions support with files under 4GB.
- Due to compatibility issue of some AV devices and disc, may not work.
- DVD/Blu-ray movie titles and album titles cannot be played when using TV connectivity.
- TV connectivity function may not be available in BD-R/RE DL or XL disc.

