



Q406-A000 (1 input; 1 output)
Q406-A001 (1 input; 1 output with Excitation Source)
Q406-A002 (signal splitter: 1 input; 2 output)
Q406-A003 (1 input; 2 output with Excitation Source)
Q406-A004 (2 input; 2 output)

ACTIONI/Q® Q406 AC Powered DC Input Multi-Channel Isolator

Provides 1 or 2 Fully Isolated DC Output Signals
in Proportion to 1 or 2 DC Inputs



- Field Configurable Input Ranges
- Field Configurable Output Ranges
- 1800VAC Isolation
- TouchCAL™ Technology
- High Density DIN Rail Mounting
- Universal AC Power 85 to 265 VAC
- SnapLoc™ Plug-in Terminals

Description

The model Q406 is an AC powered, DIN rail mount, DC input signal conditioner, with 1800V isolation between input, output and power. The field configurable input and output feature offers flexible, wide ranging capability for DC current and voltage signals.

The Q406 is available as a single channel signal conditioner (1 input/1 output) or as a multi-channel signal conditioner (1 input/2 outputs, or 2 inputs/2 outputs). All models maintain the high 1800V isolation level from channel to channel, as well as input to output to power.

TouchCAL Technology

Action has simplified setpoint calibration. Using a pushbutton instead of potentiometers, improvements in calibration resolution and reliability are realized due to the elimination of the potentiometers' mechanical variability. The thermal drift and mechanical variability of the potentiometers has been removed and replaced with a digitally stable circuit. Additionally, the inherent zero and span interactivity of analog amplifier circuitry is removed, providing 100% non-interactive adjustment.

The Q406 can be field configured for virtually any DC input to DC output within the limits specified. Calibration utilizes "TouchCAL" technology where the user simply configures the input for the current or voltage range via switches, then follows the Calibration Flow Chart. The output is set by adjusting the input until the desired output is present and then pressing the CAL button to store the output level.

Optionally available is a 24VDC excitation source (20mA max.) common to the input and isolated from AC power, which can be used to power a two- or three-wire transducer.

Diagnostic LEDs

The Q406 has three diagnostic LEDs. The green (RUN) LED is used for diagnostics to indicate that power is on. It will flash quickly if the input signal is above the calibrated range or slowly if the input signal is below range. It is on continuously when the unit is functioning within the calibrated range.

The yellow (IN) LED is on while calibrating the input and the red (OUT) LED is on while calibrating the output.

Configuration

The Q406 can be configured for input ranges from 10mV to 100V or 1mA to 100mA, with >90% input offset or will adjust down to <10% of full scale input span (except on 20mV/2mA range where maximum offset or gain adjustment is 50%). Unless a specific custom calibration is specified, the factory presets the Model Q406 as follows:

Input Range: 20mA (Current on)
Input Configuration: Unipolar
Calibrated Input: 4-20mA
Operation: Direct (Reverse off)
Calibrated Output: 4-20mA

For other I/O ranges, refer to the tables below.

WARNING: Do not change switch settings with power applied. Severe damage will result!

1. With power off, snap off the faceplate by lifting the right edge away from the heatsink. Slide the heatsink forward and off the module.

2. The single channel module has two eight position switch blocks, one for input and one for output. The dual output modules have a second board behind the heatsink. Gently lift this board away from the main board, rocking it back while lifting. The one input, two output module has one ten position switch block for input and channel 1 output, along with a two position switch for the second output. The two input, two output module has two ten position switch blocks, one for each channel.

3. For single channel modules, choose the desired input, function and output range from Table 1, 2, and 3. For multi-channel modules, use Table 4. Set the dip switches for the desired I/O.

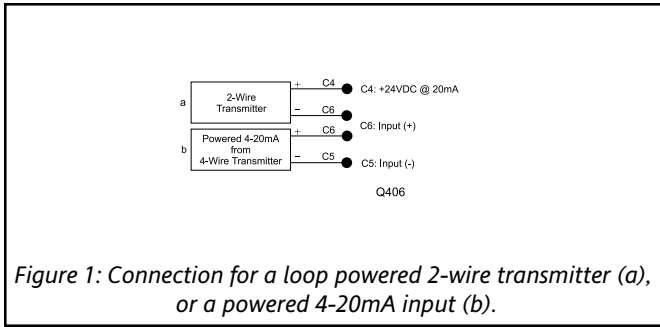


Figure 1: Connection for a loop powered 2-wire transmitter (a), or a powered 4-20mA input (b).

Calibration

Note: For best results, calibration should be performed with the intended output load, in the operating environment, mounted on a DIN rail, allowing at least one hour for thermal equilibrium of the system.

1. Install the module on to a piece of DIN rail and the I/Q Rail mounting combination. See the I/Q Rail Data sheet for details.

Note: An I/Q Rail is required to deliver power to the modules. See ordering information.

2. Connect the input to a calibrated DC source and the output to a voltage or current meter. Apply power and allow the system to reach thermal equilibrium (approx. 20 minutes).

3. Adjust the input signal to the desired maximum and observe that the green LED is on or flashing. Push the CAL button and hold it down for more than 5 seconds (until the yellow and Green LEDs are flashing).

Table 1: Input Range Settings for Single Channel Modules

Ranges		Selector SW1			
Voltage	Current	1	2	3	4
20mV	2mA			■	■
50mV	5mA		■		
100mV	10mA		■		■
200mV	20mA		■	■	
500mV	50mA		■	■	■
1V	100mA	■			
2V		■			■
5V		■		■	■
10V		■	■		
25V		■	■	■	■
50V		■	■	■	■
100V		■	■	■	■

Key: ■ = 1 = ON or Closed

Table 2: Input Function Settings for Single Channel Modules

Type	Selector SW1			
	5	6	7	8
Unipolar	■	-	-	-
Bipolar	-	-	-	-
Reverse	-	■	-	-
Direct	-	-	-	-
Current	-	-	-	■
Voltage	-	-	-	■

Key: ■ = 1 = ON or Closed; - = n/a

4. When the yellow and green LEDs stop flashing, the yellow and red LEDs will be on. Push the CAL button momentarily (the yellow and green LEDs will be on).

Note: To quit the calibration mode and reset the unit, push the CAL button and hold for more than 5 seconds. Or, wait for more than two minutes and the unit will timeout and reset itself to the previously stored calibration.

5. Apply the maximum input signal level desired, and push the CAL button to store (the yellow LED will be on).

6. Apply the minimum input signal level desired, and push the CAL button to store (the green and red LED will be on).

7. Adjust the input signal while monitoring the output signal until the output is at the desired maximum level (e.g. 20.00mA), then push the CAL button to store (the red LED will be on).

8. Adjust the input signal while monitoring the output signal until the output is at the desired minimum level (e.g. 4.00mA), then push the CAL button to store (the yellow, green and red LEDs will be on).

9. Push the CAL button one final time to store the calibration data. The green LED will be on if the input is within the calibrated range.

Table 3: Output Range Settings for Single Channel Modules

Ranges	Selector SW2							
Output	1	2	3	4	5	6	7	8
0 to 5V	■	■	■	■				
0 to 10V	■	■	■	■				
0 to 1mA		■	■	■				
4 to 20mA						■	■	■
0 to 20mA	■	■					■	■

Key: ■ = 1 = ON or Closed

Table 4: I/O Range & Function Settings for Dual Channel Modules

Ranges		Selector SW1 or SW2*										SW2**	
Voltage	Current	1	2	3	4	5	6	7	8	9	10	1	2
20mV	2mA			■	■								
50mV	5mA		■										
100mV	10mA		■	■									
200mV	20mA		■	■									
500mV	50mA		■	■	■								
1V	100mA	■											
2V		■			■								
5V		■		■	■								
10V		■	■										
25V		■	■	■									
50V		■	■	■	■								
100V		■	■	■	■								
Unipolar					■								
Voltage							■						
Current								■					
Output		1	2	3	4	5	6	7	8	9	10	1	2
0 to 5V										■	■	■	■
0 to 10V										■	■		
0 to 1mA											■	■	
4 to 20mA													

Key: ■ = 1 = ON or Closed
 *Applies to dual channel model
 **SW2, two position switch applies only to 1 input, 2 output module

Note that 0-20mA output is NOT available on multichannel units. Note also that Reverse Action is NOT available on multichannel units.

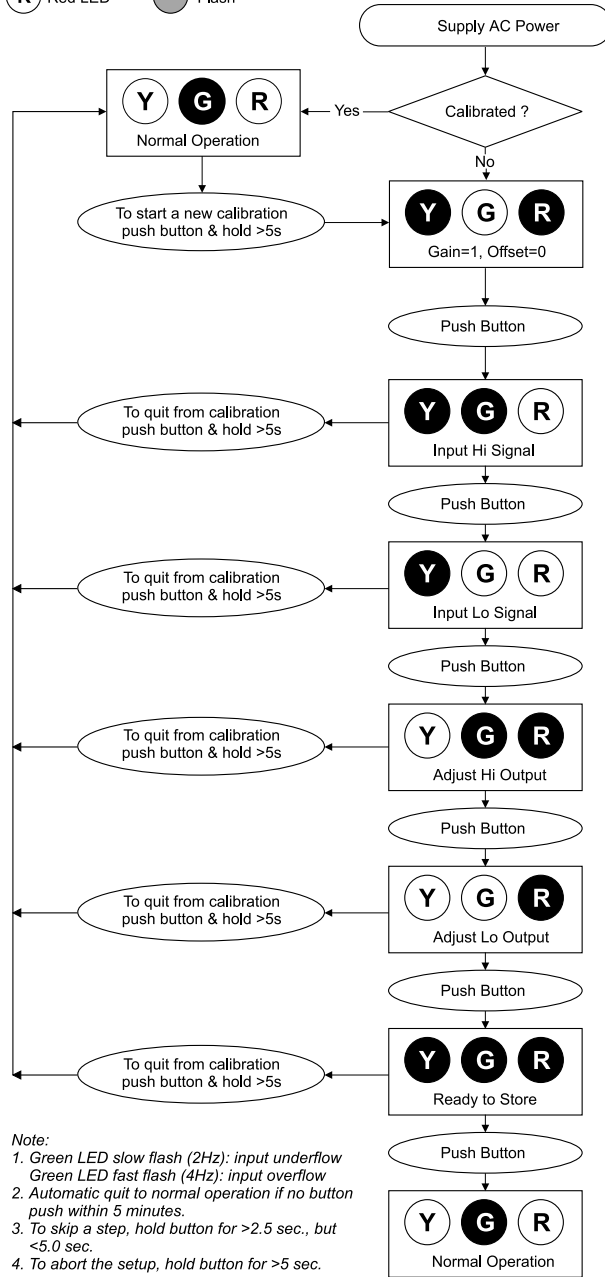
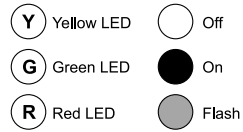


Figure 2: Q406 Calibration Flow Chart

Specifications

Inputs:

Voltage:

Range Limits: 10mV to 100V (see Table 1)

Impedance: $\geq 100k$ ohms

Overvoltage: 200V continuous

Current Input:

Range Limits: 1mA to 100mA

Impedance: 20 ohms typical

Overcurrent: 170mA, protected by self resetting fuse

Overvoltage: 60V

Pushbutton Adjustment (inputs > 10mV)

Effective zero offset: $\geq 90\%$

Effective span turn down: $\geq 90\%$ except 20mV/2mA range in which 50% is max. zero offset and span turndown

Outputs:

Voltage:

Output: 0-5V, 0-10V

Source Impedance: <10 ohms

Drive: 10mA max.

Current:

Output: 4-20mA, 0-1mA (0-20mA on single channel versions only)

Source Impedance: >100k ohms

Compliance:

0-1mA: 7.5V max. (7.5k ohms)

4-20mA: 12V max. (600 ohms)*

0-20mA: 12V max. (600 ohms)

*10V max. (500 ohms) on dual out versions

Output Ripple:

<50% offset or span adjust: <0.1% off full scale span or 25mV RMS, whichever is greater

>50% offset or span adjust: <0.2% of full scale span or 50mV RMS, whichever is greater.

Ordering Information

Models & Accessories

Specify:

1. Model:

Q406-A000: one input, one output DC Isolator

Q406-A001: one input, one output DC Isolator with 24VDC excitation source

Q406-A002: one input, two output DC Isolator

Q406-A003: one input, two output DC Isolator with 24VDC excitation source

Q406-A004: two input, two output DC Isolator

2. Specify I/QRail type and quantity (required)

3. Custom Calibration: **C620** - calibrates units to a customer specified range.

4. Accessories: (see Accessories)

Accessories

Action/I/Q modules mount on standard TS32 (model MD02) or TS35 (model MD03) DIN rail. In addition the following accessories are available:

MD02 TS32 DIN rail

MD03 TS35 x 7.5 DIN rail

IQRL-2002 2 Position I/QRail & DIN rail

IQRL-2004 4 Position I/QRail & DIN rail

IQRL-2008 8 Position I/QRail & DIN rail

Output Accuracy:

>2mA / >20mV input spans:

$\pm 0.1\%$ of full-scale input typical, $\pm 0.2\%$ maximum

<2mA / <20mV input spans:

$\pm 0.35\%$ of fullscale input typical, $\pm 0.5\%$ maximum; including linearity, repeatability and hysteresis @23C.

Response Time: 200mSec, typical

Stability: $\pm 0.025\%$ of full scale /C, maximum for fullscale and zero

Excitation Voltage (optional): 24VDC, 20mA maximum

Common Mode Rejection: 120dB at DC, >90dB at 60Hz

Isolation: ≥ 1800 VDC or peak AC between input, output, power and channel to channel

ESD Susceptibility: Capable of meeting IEC 801-2 level 3(8kV)

Humidity (non-condensing):

Operating: 15 to 95% RH @45°C

Soak: 90% RH for 24 hours @60°C

Temperature:

Operating: 0 to 55°C (32 to 131°F)

Storage: -25 to 70°C (-13 to 158°F)

Power: 2.5W max; 100 to 240VAC, $\pm 10\%$, 50 to 400Hz

Wire Terminals: Socketed screw terminals for 12-22 AWG

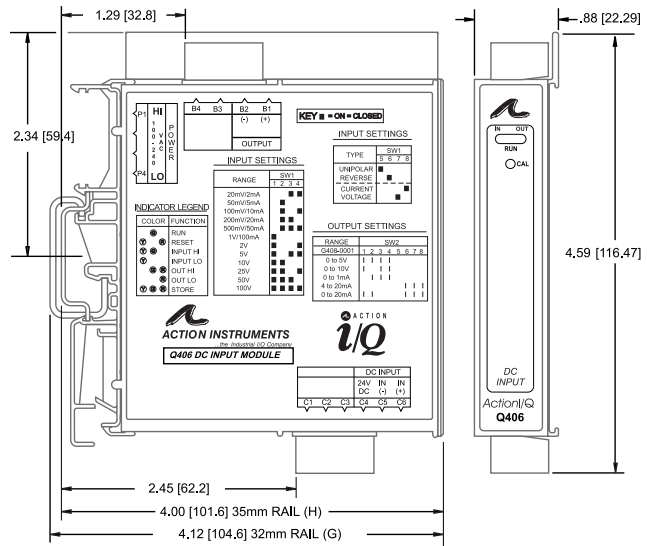
Agency Approvals:

CSA certified per standard C22.2 (File No LR 42272).

UL recognized per standard UL508 (File No. E99775).

Terminal	Connection	Terminal	Connection
B1	Channel 1 Out (+)	C4	Voltage Supply (+24VDC)
B2	Channel 1 Out (-)	C5	Channel 1 In (-)
B3	Channel 2 Out (+)	C6	Channel 1 In (+)
B4	Channel 2 Out (-)	P1	AC Power (Hot)
C1	Channel 2 In (-)	P2	Not Used
C2	Channel 2 In (+)	P3	Not Used
C3	Not Connected	P4	AC Power (Neutral)

Dimensions



Eurotherm

by **Schneider Electric**



Printed on recycled paper

Schneider Electric Systems USA, Inc.

44621 Guilford Drive, Suite 100

Ashburn, VA 20147

703-724-7300

info.eurotherm.us@schneider-electric.com

www.eurotherm.com

Factory Assistance

For additional information on calibration, operation and installation contact our Technical Services Group:

703-724-7314

US.Support@schneider-electric.com

721-0664-00-K 09/06 Copyright© Eurotherm, Inc 2006