

Part Number: [0430451200](#)
Status: Active
Description: Micro-Fit 3.0 Right-Angle Header, 3.00mm Pitch, Dual Row, 12 Circuits, with Snap-in Plastic Peg PCB Lock, Tin, Glow-Wire Capable, Black

Documents:

3Dモデル	製品仕様書 TS-46235-001-001 (PDF)
図面 (PDF)	梱包仕様書 PK-70873-0313-001 (PDF)
製品仕様書 PS-43045 (PDF)	Test Summary 430450004-TS-000 (PDF)
製品仕様書 PS-43045-001 (PDF)	RoHS Certificate of Compliance (PDF)
製品仕様書 TS-43045-001-001 (PDF)	Product Literature (PDF)

Agency Certification

CSA	LR19980
UL	E29179

一般
用途
コメント

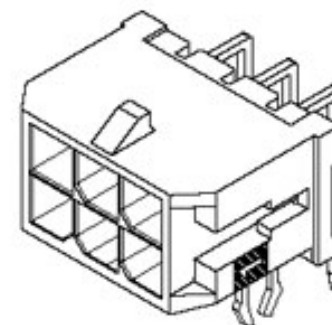
Power, 電線対基板
 "High Temperature|Square Pin|Solder Type<P><P>This Molex product is manufactured from material that has the following ratings, tested by independent agencies:. a) A Glow Wire Ignition Temperature (GWIT) of at least 775 deg C per IEC 60695-2-13.. b) A Glow Wire Flammability Index (GWFI) above 850 deg C per IEC 60695-2-12.and hence complies with the requirements set out in the International Standard IEC 60335-1 5th edition - household and similar electrical appliances - safety, section 30 Resistance to heat and fire. <P><P> The customers using this product must determine its suitability for use in their particular application through testing or other acceptable means as described in end-product glow-wire flammability test standard IEC 60695-2-11 and any applicable product end-use standard(s). <P> If it is determined during the customer' s evaluation of suitability, that higher performance is required, please contact Molex for possible product options."

Product Literature Order No
製品名
UPC

987650-5984
Micro-Fit 3.0
800754372701

機械的性能/材質

分離型	無
極数 (実装)	12
極数 (最大)	12
色 - 樹脂部	黒色
耐久挿抜回数	30
難燃性	94V-0
Glow-Wire Capable	有
嵌合高さ	10.29mm
材質 - 金属部	黄銅
材質 - 嵌合部メッキ	錫
材質 - ターミナルメッキ	錫
材質 - 樹脂部	耐熱樹脂
Net Weight	1.949/g
列数	2



Series image - Reference only

EU ELV
Not Relevant

EU RoHS
Compliant

REACH SVHC
Not Contained Per -
ED/61/2018 (27 June
2018)

Halogen-Free
Status

Low-Halogen

For more information, please visit
Contact US

China ROHS	Green Image
ELV	Not Relevant
RoHS Phthalates	Not Contained

Search Parts in this Series
[43045](#) Series

Mates With
Micro-Fit 3.0 Receptacle Housing [43025](#)

Micro-Fit 3.0 TPA Receptacle
Housing [172952](#)

実装形態	ライトアングル
位置決め	有
基板保持	有
推奨基板厚	1.60mm
梱包形態	トレイ
ピッチ - 嵌合部 (インチ)	3.00mm
嵌合部メッキ厚	0.254μm
基板極性	有
シュラウド	フルシールド
縦列スタック (エンド・ツー・エンド)	無
表面実装対応 (SMC)	有
使用温度範囲	-40° to +105° C
実装スタイル	スルーホール
電气的性能	
最大定格電流	8.5A
最大定格電圧	600V
Solder Process Data	
Duration at Max. Process Temperature (seconds)	030
Lead-free Process Capability	SMC&WAVE
Max. Cycles at Max. Process Temperature	003
Process Temperature max. C	260
参考情報	
図面・仕様書情報	
梱包仕様書	PK-70873-0313-001
製品仕様書	PS-43045, PS-43045-001, TS-43045-001-001, TS-46235-001-001
製品図面	SD-43045-001
Symbol/Footprint Data	SYM-43045-1200
Test Summary	430450004-TS-000

This document was generated on 10/01/2018
PLEASE CHECK WWW.MOLEX.COM FOR LATEST PART INFORMATION