

**Part Number:** [0430451200](#)  
**Status:** Active  
**Description:** Micro-Fit 3.0 Right-Angle Header, 3.00mm Pitch, Dual Row, 12 Circuits, with Snap-in Plastic Peg PCB Lock, Tin, Glow-Wire Capable, Black

**Documents:**

<a href="#">3D 모델</a>	<a href="#">제품규격 TS-46235-001-001 (PDF)</a>
<a href="#">도면 (PDF)</a>	<a href="#">Packaging Specification PK-70873-0313-001 (PDF)</a>
<a href="#">제품규격 PS-43045 (PDF)</a>	<a href="#">Test Summary 430450004-TS-000 (PDF)</a>
<a href="#">제품규격 PS-43045-001 (PDF)</a>	<a href="#">RoHS 증명서(PDF)</a>
<a href="#">제품규격 TS-43045-001-001 (PDF)</a>	<a href="#">Product Literature (PDF)</a>

**Agency Certification**

CSA	LR19980
UL	E29179

**일반적 특성  
적용제품  
설명**

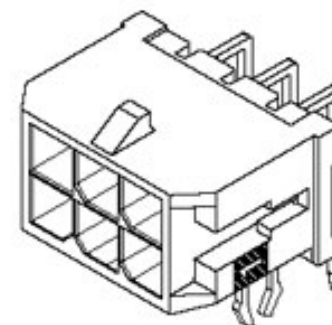
Power, 와이어 대 보드  
"High Temperature|Square Pin|Solder Type<P><P>This Molex product is manufactured from material that has the following ratings, tested by independent agencies:. a) A Glow Wire Ignition Temperature (GWIT) of at least 775 deg C per IEC 60695-2-13.. b) A Glow Wire Flammability Index (GWF1) above 850 deg C per IEC 60695-2-12.and hence complies with the requirements set out in the International Standard IEC 60335-1 5th edition - household and similar electrical appliances - safety, section 30 Resistance to heat and fire. <P><P> The customers using this product must determine its suitability for use in their particular application through testing or other acceptable means as described in end-product glow-wire flammability test standard IEC 60695-2-11 and any applicable product end-use standard(s). <P> If it is determined during the customer's evaluation of suitability, that higher performance is required, please contact Molex for possible product options."

**Product Literature Order No**

제품명	Micro-Fit 3.0
UPC	800754372701

**물리적 특성**

분리형	No
회로수	12
최대 회로수	12
색상 - Resin	Black
내구성(최대 메이팅 사이클)	30
난연성	94V-0
Glow-Wire Capable	Yes
Mated Height	10.29mm
원재료 - 메탈	황동
원재료 - 도금부	주석
원재료 - 도금부 터미네이션	주석
원재료 - 플라스틱	고내열 수지 (플라스틱)
Net Weight	1.949/g
열 수	2



Series image - Reference only

EU ELV  
Not Relevant

EU RoHS China RoHS

Compliant

REACH SVHC

Not Contained Per -  
ED/61/2018 (27 June  
2018)

Halogen-Free  
Status

Low-Halogen

For more information, please visit  
Contact US

China ROHS	Green Image
ELV	Not Relevant
RoHS Phthalates	Not Contained

Search Parts in this Series  
[43045](#) Series

Mates With  
Micro-Fit 3.0 Receptacle Housing [43025](#)  
<br>Micro-Fit 3.0 TPA Receptacle  
Housing [172952](#)

방향성	직각
PCB 고정위치	Yes
PCB 유지력	Yes
PCB Thickness - Recommended	1.60mm
포장타입	트레이
피치 - 결합부	3.00mm
최소도금: 결합	0.254 $\mu$ m
PCB 오삽입 장치	Yes
덮개	폴리형
End-to-End 연결형	No
표면실장호환성 (SMC)	Yes
사용온도 범위	-40° to +105°C
터미네이션 결합방식	스루홀
전기적 특성	
전류 - 접촉 당 최대 출력	8.5A
최대전압	600V
납땀 프로세스 정보	
Duration at Max. Process Temperature (seconds)	030
Lead-freeProcess Capability	SMC&WAVE
Max. Cycles at Max. Process Temperature	003
Process Temperature max. C	260
원재료 정보	
참고 - 도면번호	
Packaging Specification	PK-70873-0313-001
제품규격	PS-43045, PS-43045-001, TS-43045-001-001, TS-46235-001-001
도면	SD-43045-001
Symbol/Footprint Data	SYM-43045-1200
Test Summary	430450004-TS-000

This document was generated on 10/01/2018  
PLEASE CHECK WWW.MOLEX.COM FOR LATEST PART INFORMATION