

PLEASE CHECK WWW.MOLEX.COM FOR LATEST PART INFORMATION

Part Number: [0731000256](#)
Status: **Active**
Overview: SMB RF Connectors
Description: 75 Ohms, SMB Plug, Right-Angle, Crimp, RG-179 Cable, Accepts Non-standard .015" Pin, Tray

Documents:

[Drawing \(PDF\)](#) [RoHS Certificate of Compliance \(PDF\)](#)

General

Product Family	RF/Coax Connectors
Series	73404
Comments	Accepts Non-standard .015" Pin
Overview	SMB RF Connectors
Product Name	SMB
Style	Cable
Type	Subminiature
UPC	800753680524
Wire/Cable Type	RG-179

Physical

Gender	Plug
Keying to Mating Part	None
Net Weight	2.907/g
Orientation	Right Angle
PCB Mounting	N/A
Packaging Type	Tray
Panel Mount	No
Panel Mount Method	N/A
Reverse Polar	No

Electrical

Frequency	4 GHz
Impedance	75Ω

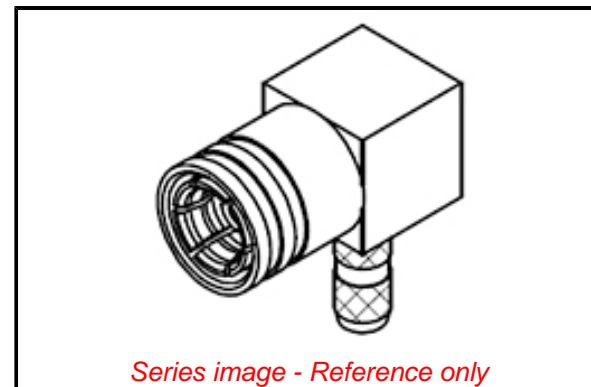
Solder Process Data

Lead-freeProcess Capability	N/A
-----------------------------	-----

Material Info

Reference - Drawing Numbers

Sales Drawing	SD-73100-0256, SD-73404-300
---------------	-----------------------------



Series image - Reference only

EU ELV

Not Relevant

EU RoHS

Compliant with Exemption 6(c)

REACH SVHC

Contained Per - ED/61/2018 (27 June 2018)

Lead

Halogen-Free

Status

Low-Halogen

Need more information on product environmental compliance?

Email productcompliance@molex.com
Please visit the [Contact Us](#) section for any non-product compliance questions.

China ROHS

ELV

Prop65

PropRisk

PropRisk

PropRisk

PropSub

RoHS Phthalates

50 Image

Not Relevant

Duty-To-Declare

Cancer

Developmental toxicity

Reproductive toxicity

Lead and its

compounds

Not Contained

Search Parts in this Series

[73404 Series](#)