

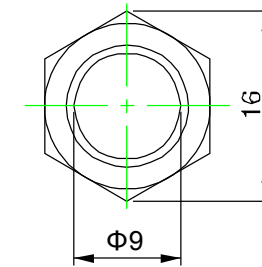
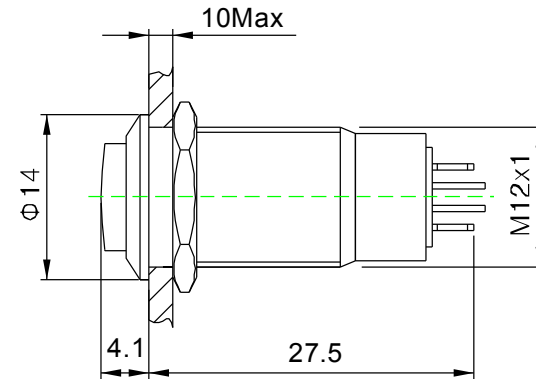
# AB-AV-1215 12MM IP40 STAINLESS STEEL LATCHING PUSH BUTTON SWITCH

SWITCHES

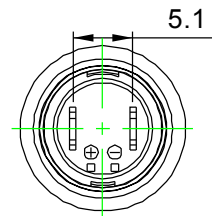
## Specifications

### AB-AV-1215

|                       |                          |
|-----------------------|--------------------------|
| Terminal type         | Pin terminal (2.8x0.5mm) |
| Button                | Flat high round          |
| Switching             | 1NO Latching             |
| Panel cut out         | 12mm                     |
| Switch rating         | 1A/36VDC                 |
| Contact resistance    | ≤50mΩ                    |
| Insulation resistance | ≥1000MΩ                  |
| Dielectric strength   | 1500V RMS 50Hz           |
| Operating temperature | -25°C~+55°C              |
| Mechanical life       | 200,000 cycles           |
| Electrical life       | 50,000 cycles            |
| Panel thickness       | 1~10mm                   |
| Torque                | 0.6Nm max                |
| Operating force       | 3.5N approx              |
| Operation travel      | 2.5mm approx             |
| IP degree             | IP40                     |
| Material: Contact     | Silver alloy             |
| Button/Body           | Stainless Steel          |
| Base                  | PA66                     |



Top view



Terminal Arrangement

ROHS Compliant

Dimensions Unit: mm



ALAN BUTCHER COMPONENTS LTD

### Alan Butcher Components Ltd

Unit 1 Beechwood Clump Farm Industrial Estate Tin Pot Lane Blandford Dorset DT11 7TD

Telephone 01258 456360 Facsimile 01258 459194 Email sales@abcomponents.co.uk

[www.abcomponents.co.uk](http://www.abcomponents.co.uk)