

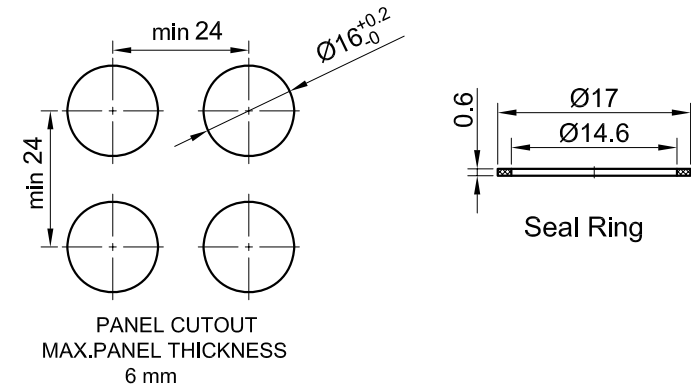
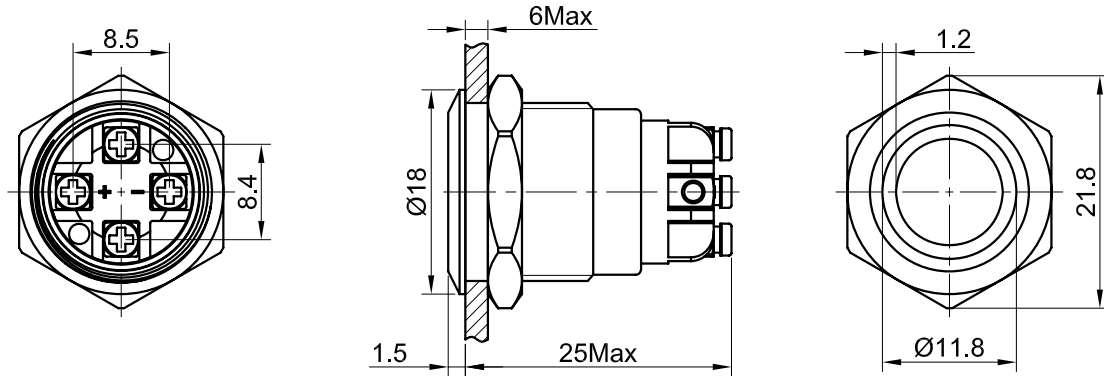
# AB-AV-1619 IP65 ANTI-VANDAL PUSH BUTTON (with internal resistor)

SWITCHES

## Specifications

Terminal type	Screw
Actuator shape	Flat round
Switching	1NO Momentary
Panel cut out	16mm
Switch rating	2A 36VDC
Contact resistance	≤50MΩ
Insulation resistance	≥1000MΩ
Dielectric strength	2000V AC 50Hz 5 seconds
Operating temperature	-25°C~+55°C
Electrical life	≥200,000 cycles
Mechanical life	1,000,000 cycles
Panel thickness	1~6mm
Torque	0.6Nm max applied to nut
Operation pressure	2.5-4N
Operation travel	1.5mm approx
IP degree	IP65
Material: Contact	Silver alloy
Button/Body	Stainless steel
Base	PA
LED: Type	Ring illuminated
Colour	Green
Voltage	12V

## AB-AV-1619



Dimensions Unit: mm

ROHS Compliant

DIMENSIONS	TOLERANCE
0.00 TO 30.00mm	±0.20mm
30.01 TO 80.00mm	±0.25mm
80.01 TO 150.00mm	±0.30mm
150.01 ↑	±0.40mm



ALAN BUTCHER COMPONENTS LTD

## Alan Butcher Components Ltd

Unit 1 Beechwood Clump Farm Industrial Estate Tin Pot Lane Blandford Dorset DT11 7TD

Telephone 01258 456360 Facsimile 01258 459194 Email sales@abcomponents.co.uk

[www.abcomponents.co.uk](http://www.abcomponents.co.uk)