

AB-TL-701 TABLE LAMP SWITCH

SWITCHES

Specifications

AB-TL-701

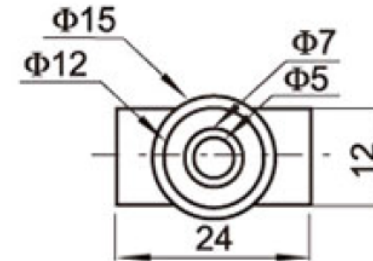
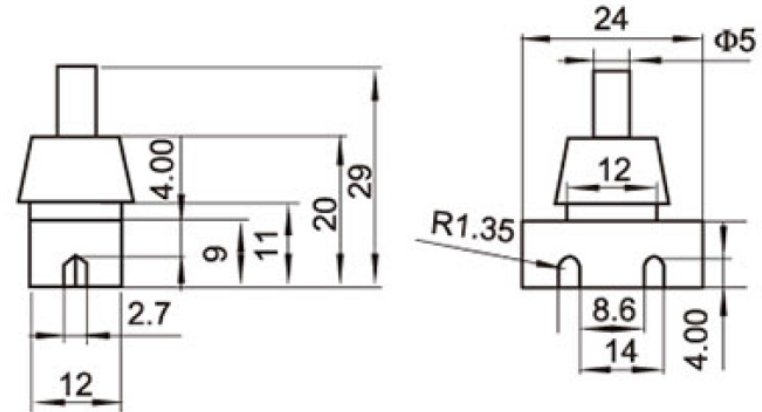
Rating	10A/250VAC 20A/125VAC
Colour	White
Switch Action	SPST latching on-off
Operating Force	8±1.5N
Dielectric Intensity	≥1500V AC/min
Contact Resistance	≤50MΩ 6VDC
Mechanical Life	20,000 cycles
Insulate Resistance	≥100MΩ
Operating Temperature	-25°C~85°C

Approvals



Features

- ROHS compliant
- Housing material: PA66
- Button material: PA66
- Terminal material: Copper
- Contact material: Copper



ALAN BUTCHER COMPONENTS LTD

Alan Butcher Components Ltd

Unit 1 Beechwood Clump Farm Industrial Estate Tin Pot Lane Blandford Dorset DT11 7TD

Telephone 01258 456360 Facsimile 01258 459194 Email sales@abcomponents.co.uk

www.abcomponents.co.uk