

## AC Switches

### Accessories

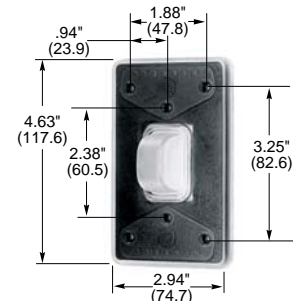
Weatherproof Switch Plates



**IP44**  
SUITABILITY

#### Weatherproof Plates

Description	Catalog Number
Clear bubble plate, silicone rubber for use with all general purpose AC toggle and PresSwitches® switches. Fits both FS/FD and standard boxes.	<b>HBL1795</b>

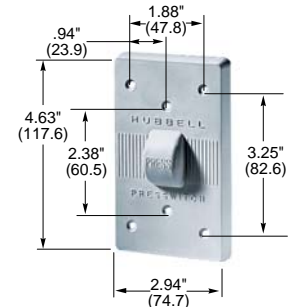


**HBL1795**

#### Weatherproof Plates

Description	Catalog Numbers
Gray neoprene PresSwitch plate. Fits FS/FD and standard boxes.	<b>HBL1750*</b>
Same as above except yellow.	<b>HBL17CM50*</b>

*Note: \*Not listed by Underwriter's Laboratories Inc.*

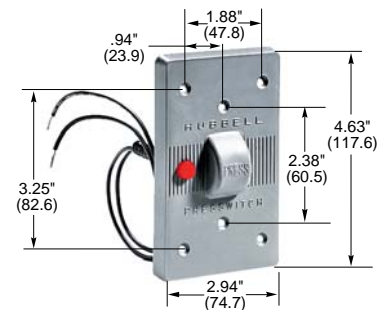


**HBL1750**

#### Weatherproof Plates

Description	Catalog Numbers
Gray neoprene PresSwitch plate with 125V red pilot light. Fits only FS/FD boxes.	<b>HBL1785*</b>
Same as above except yellow.	<b>HBL17CM85*</b>

*Note: \*Not listed by Underwriter's Laboratories Inc.*

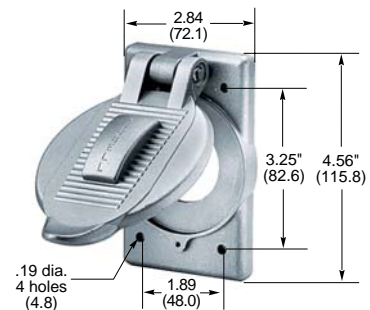


**HBL1785**

#### Weatherproof Plates

Description	Catalog Number
Cast aluminum lift cover plate with fiber shield. For standard toggle and PresSwitches. Fits only FS/FD boxes.	<b>HBL7420</b>

*Note: See Section K for full line of wall plates.*



**HBL7420**