



Sparkle Power Inc.
 A Leading Power Supply Manufacturer
 Web site: www.sparklepower.com



ATX-450PN (RoHS Compliant) **450 Watts ATX12V 2.2 Switching Power Supply**

Features

- Complied with ATX12V standard
- High efficiency and reliability, low noise and ripple
- Compatible with European Union Directive 2002/95/EC (Restriction on Hazardous Substances).
- Remote ON/OFF function
- Internal 12V DC fan included
- Noise Killer (thermal fan speed control function)
- Output over voltage, short circuit, and over current protection
- 100% Hi-pot, ATE, and burn-in tested
- Re-settable power shut down
- Complies with FCC part 15 subpart J class B 115Vac operation, and CISPR 22 class B at 230Vac operation
- Approved by UL60950, CSA C22.2 NO. 60950, TUV EN60950 or VDE EN60950, NEMKO EN60950 (CB Report)

Input Characteristics

Input Range: $\pm 10\%$ of 115Vrms/57~63Hz or 230Vrms/47~53Hz,
 Manual Selection

Input Current: 10A (RMS) @ 115Vac, 5A (RMS) @ 230Vac

Inrush Current: No Damage

Output Characteristics

Output Voltage	Minimum Load	Normal Load	Maximum Load	Load Reg.	Line Reg.	Ripple & Noise
+3.3V	0.5A	10.0A	22.0A	$\pm 5\%$	$\pm 1\%$	50mV P-P
+5V	0.3A	8.0A	15.0A	$\pm 5\%$	$\pm 1\%$	50mV P-P
+12V1	1.0A	7.0A	18.0A	$\pm 5\%$	$\pm 1\%$	120mV P-P
+12V2	1.0A	8.5A	18.0A	$\pm 5\%$	$\pm 1\%$	120mV P-P
-12V	0.0A	0.1A	0.3A	$\pm 10\%$	$\pm 2\%$	120mV P-P
+5Vsb	0.0A	1.0A	2.5A	$\pm 5\%$	$\pm 1\%$	50mV P-P

*+3.3V and +5V total output not exceed 145W

*+12V1 and +12V2 total output not exceed 360W

*+3.3V & +5V & +12V1 & +12V2 total output not exceed 433W

* Total output for this subject power supply is 450W

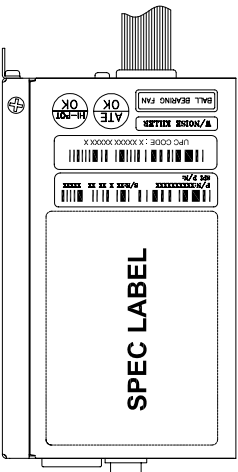
Specification

- **Temperature Range:** Operating: $0^{\circ}\text{C} \sim +50^{\circ}\text{C}$, Full load at 25°C , De-rate $2\text{W}/^{\circ}\text{C}$ from 25°C to 50°C ;
- **Storage & shipping:** $-20^{\circ}\text{C} \sim +65^{\circ}\text{C}$
- **Humidity:** 5 ~ 95% on operating and storage
- **Dielectric Withstand:** Primary frame ground 1800V AC for 1 second
- **Efficiency:** 70% minimum measured at normal AC mains voltage and frequency with full load
- **Rise time:** Less than 20ms
- **Hold-up Time:** 12ms minimum at nominal input voltage
- **Power Good Signal:** Power on delay time 100 ~ 500ms, off delay 1ms minimum (TTL and CMOS compatible)
- **Leakage Current:** Less than 3.5mA at 115VAC/60Hz
- **MTBF:** 100,000 hours on maximum load at $+25^{\circ}\text{C}$
- **Dimensions (LxWxH):** 140x150x86mm/5.5x5.9x3.4inch

Sparkle Power Inc.
Main Office
 1000 Rock Avenue
 San Jose, CA 95131
 TEL: 408-519-8888
 FAX: 408-519-9999
 E-MAIL: info@sparklepower.com

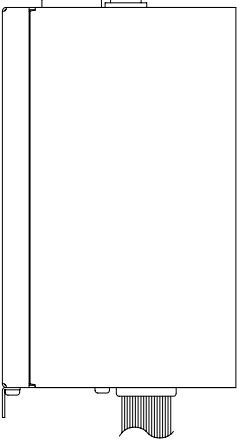
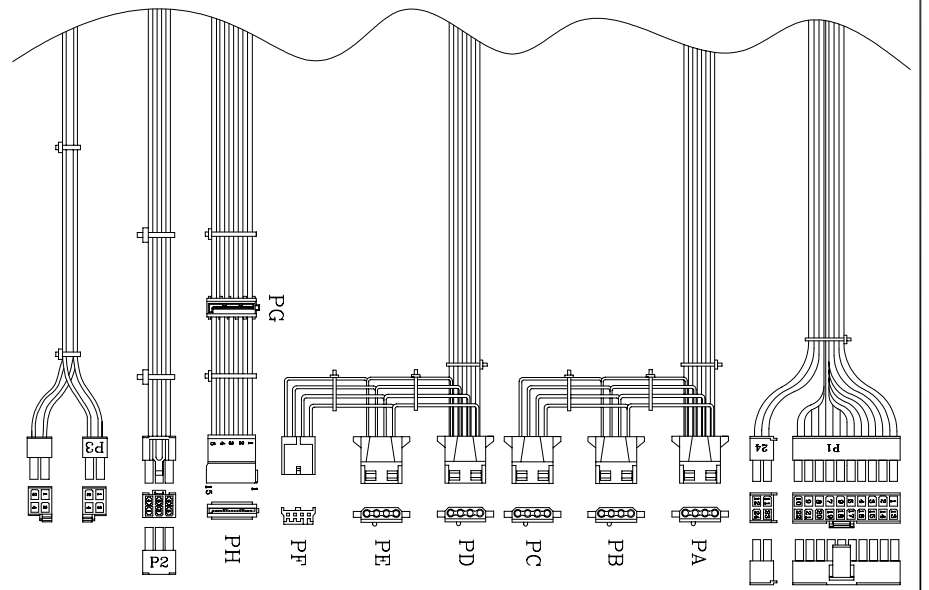
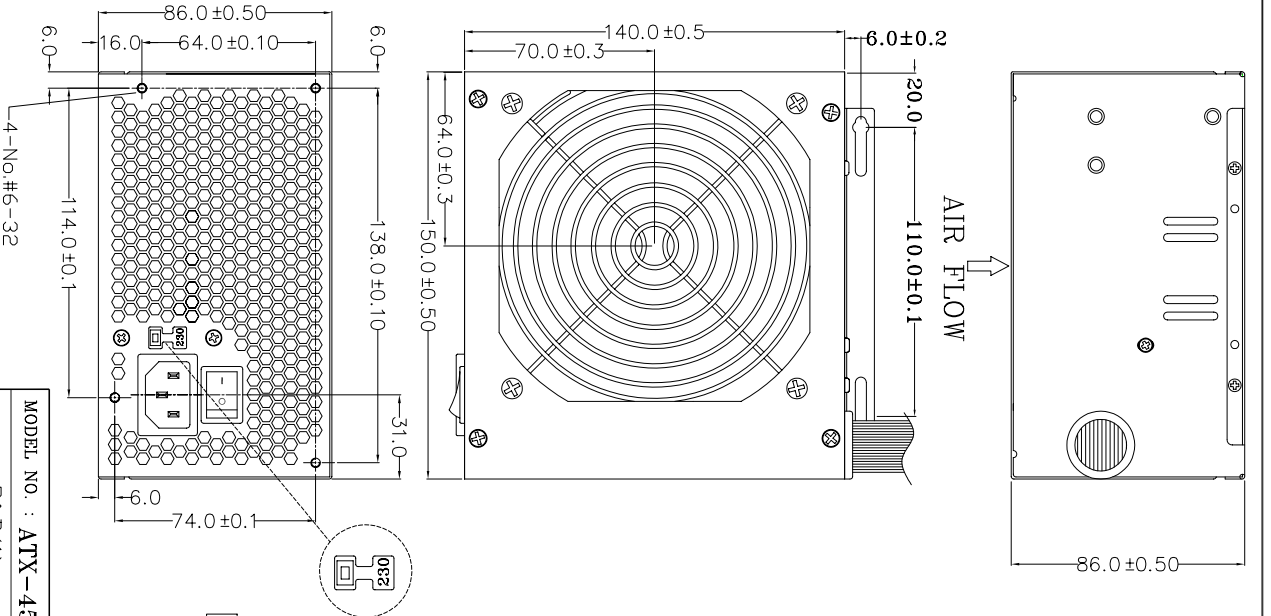
Sparkle Power Inc.
Los Angeles Office
 17071 Green Drive
 City of Industry, CA 91745
 TEL: 626-839-7180
 FAX: 626-839-3395

REF. ID	PIN NO.	SIGNAL	WIRE COLOR	GAUGE	CONNECTOR TYPE	CABLE LENGTH		
P1	1	+3.3VDC	ORANGE	18	AMP-4500P-4500	500±30mm -10 OR EQIV.		
	2	+3.3VDC	ORANGE	18				
	3	COM	BLACK	18				
	4	+5VDC	RED	18				
	5	+5VDC	RED	18				
	6	PM-OK	GRAY	18				
	9	+5Vsb	PURPLE	18				
	10	+12V1	YELLOW	18				
	11	+12V1	YELLOW	18				
	12	+3.3VDC	ORANGE	20				
	13	+3.3VDC	ORANGE	20				
	14	+12V1	BROWN	24				
	15	+12V1	BLACK	24				
	16	COM	BLACK	18				
	17	PS-ON	GREEN	24				
	18	COM	BLACK	18				
	19	COM	BLACK	18				
	20	COM	BLACK	18				
	P2	1	+12V1	RED	18		AMP	150±10mm or EQIV.
		2	COM	BLACK	22			
		3	COM	BLACK	22			
		4	+5V	RED	18			
	PG	1	+12V1	YELLOW	18		WST	500±30mm -10 or EQIV.
		2	+5V	RED	18			
3		+5V	RED	18				
4		COM	BLACK	18				
5		+3.3VDC	ORANGE	18				
PH	1	+12V1	YELLOW	18	15PIN	200±10mm		
	2	COM	BLACK	18				
	3	+5V	RED	18	SPRBL. 4PA			
	4	COM	BLACK	18				
P3	1	+12V1	YELLOW	18	C4202H00	500±30mm -10 or EQIV.		
	2	+12V1	YELLOW	18				
	4	+12V1	YELLOW	18	-2*4PA			
	5	COM	BLACK	18	-RP			
	6	COM	BLACK	18	or EQIV.			
	1	COM	BLACK	18	WST			
2	COM	BLACK	18	WST				
4	+12V2	YEL./BLK	18	P4-14200K4	500±30mm			
1	COM	BLACK	18	WST	-10			
2	+12V2	YEL./BLK	18	WST				
4	+12V2	YEL./BLK	18	WST				



- NOTE:
1. ALL THE LENGTH OF OUTPUT WIRES EXCLUDE HOUSING.
 2. 產地標籤依業務指示加貼。

UNIT:mm



P/N.:9PX4500106
SPI P/N.:ATX-450PN-B204

MODEL NO. : ATX-450PN(S03001)	TITLE: ASSY	SHEET: 1 OF 1	REV:01
R&D(1)	PE	DRAWN	DATE
			NOV.08.2006

Mechanical Drawing(外觀/機構圖)表單編號7000P-0111