

## TUNING FORK CRYSTAL UNIT (SMD · Jacket Type)

RoHS compliant / Pb free

# CMJ206T

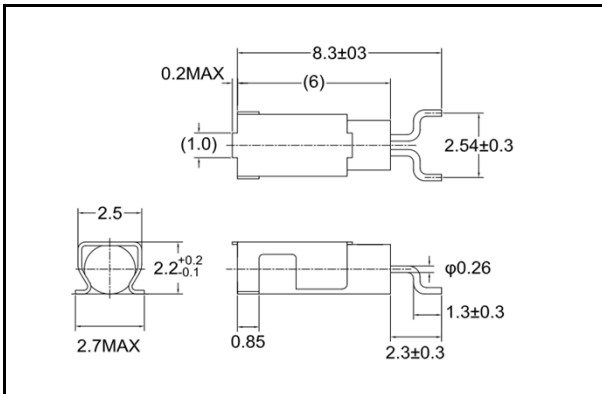
3,000pcs/reel



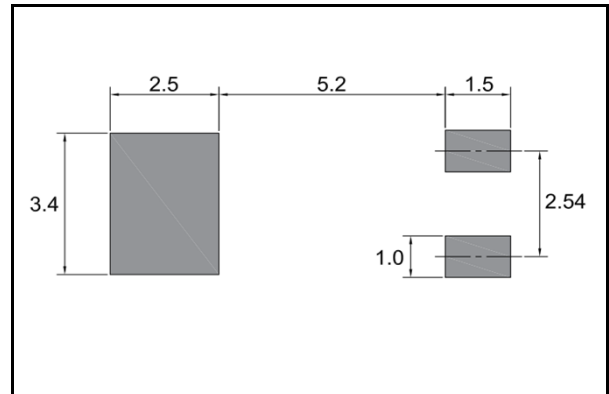
### FEATURES

- Reflowable cylinder type
- Frequency range : 32.768kHz
- External dimensions (mm)  
L : 8.6 x W : 2.7 x H : 2.4
- Applications  
Smart Meters / Consumer products

### DIMENSION [mm]



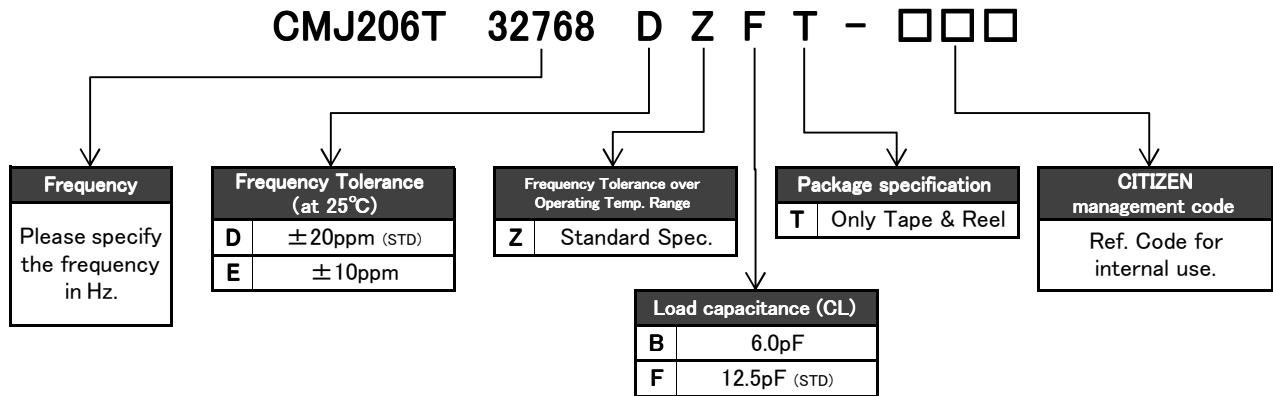
### SOLDER PAD LAYOUT [mm]



### STANDARD SPECIFICATIONS

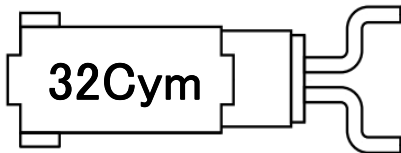
| Item                         | Model             | CMJ206T                         | Conditions                      |
|------------------------------|-------------------|---------------------------------|---------------------------------|
| Nominal Frequency            | f <sub>0</sub>    | 32.768kHz                       |                                 |
| Frequency Tolerance          | Δf/f <sub>0</sub> | ±10ppm / ±20ppm                 | at 25°C                         |
| Load capacitance             | C <sub>L</sub>    | 6.0pF / 12.5pF                  | Please specify your requirement |
| Operating Temperature Range  | T <sub>OPR</sub>  | -40°C ~ +85°C                   |                                 |
| Storage Temperature Range    | T <sub>STR</sub>  | -55°C ~ +125°C                  |                                 |
| Turnover Temperature         | T <sub>M</sub>    | 25°C±5°C                        |                                 |
| Temperature Coefficient      | β                 | -0.034±0.006ppm/°C <sup>2</sup> |                                 |
| Motional (series) resistance | R <sub>1</sub>    | 50K Ω Max.                      | at 25°C                         |
| Level of drive               | D <sub>L</sub>    | 1 μW Max.                       |                                 |
| Aging (first year)           | Δf/f <sub>0</sub> | ±3ppm Max.                      | 25°C±3°C                        |
| Shunt capacitance            | C <sub>0</sub>    | 1.35pF Typ.                     |                                 |

## ■ PART NUMBERING SYSTEM



\*Please contact us for specifications available.

## ■ Part Marking [standard]



32C : Manufacture's ID Code

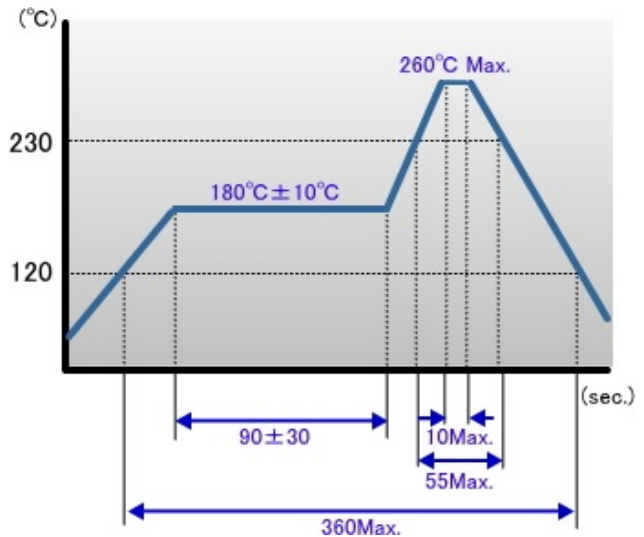
y : The last digit of production year

m : Production month (See Table.1)

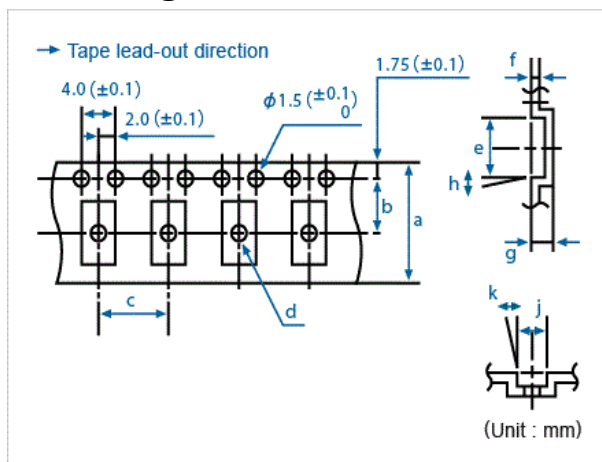
Table.1

| Month | Jan | Feb | ... | Sep | Oct | Nov | Dec |
|-------|-----|-----|-----|-----|-----|-----|-----|
| Code  | 1   | 2   | ... | 9   | X   | Y   | Z   |

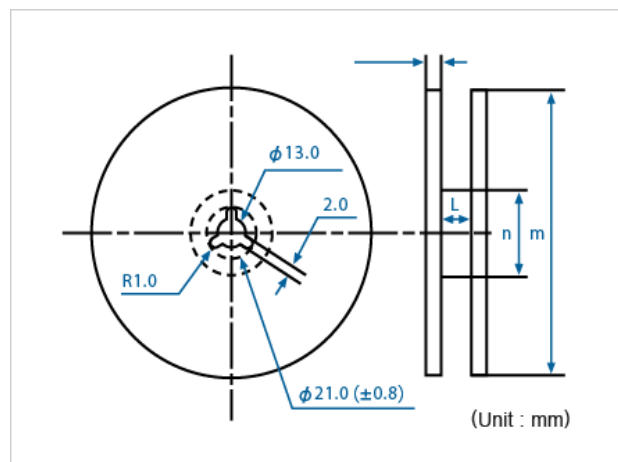
## ■ Reflow profile



## ■ Packing



Conforming to JIS C 0806 TB1208NEIAJ and RC-1009B TE1208N



Conforming to JIS C 0806 R12R and EIAJ RC-1009B R15

| Q'ty/reel | a    | b   | c   | d (φ) | e   | f   | g   | h | j   | k  | l    | m (φ) | n (φ) |
|-----------|------|-----|-----|-------|-----|-----|-----|---|-----|----|------|-------|-------|
| 3,000     | 16.0 | 9.2 | 8.0 | -     | 9.5 | 0.3 | 2.1 | - | 3.0 | 5° | 17.5 | 330   | 100   |

Rev.1