

PLEASE CHECK WWW.MOLEX.COM FOR LATEST PART INFORMATION

Part Number: [0192120005](#)
Status: **Active**
Overview: [Wire Pins](#)
Description: InsulKrimp Wire Pin Terminal for 16-14 AWG Wire

Documents:

[Drawing \(PDF\)](#) [Product Specification PS-19902-013-001 \(PDF\)](#)
[Product Specification PS-19902-011-001 \(PDF\)](#) [RoHS Certificate of Compliance \(PDF\)](#)

Agency Certification

CSA LR18689
 UL E32244

General

Product Family Crimp Terminals
 Series [19212](#)
 Application Power, Wire-to-Component
 Comments Pin Length 9.40mm
 Crimp Quality Equipment Yes
 Overview [Wire Pins](#)
 Packaging Alternative [19212-0006](#) (Adhesive Tape on Reel)
 Product Name Wire Pin
 UPC 800753053366

Physical

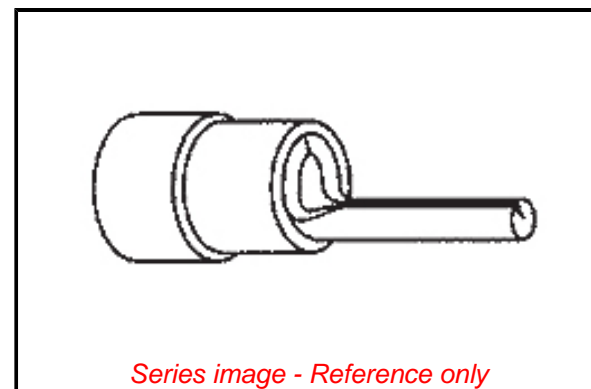
Flammability 94V-0
 Gender Male
 Material - Metal Copper
 Material - Plating Mating Tin
 Net Weight 0.780/g
 Packaging Type Bag
 Plating min - Mating 1.016µm
 Termination Interface: Style Crimp or Compression
 Wire Insulation Diameter 4.45mm max.
 Wire Size AWG 14, 16
 Wire Size mm² N/A

Material Info

Engineering Number WP-2614X

Reference - Drawing Numbers

Product Specification PS-19902-011-001, PS-19902-013-001
 Sales Drawing SD-19212-001



EU ELV

Not Relevant

EU RoHS

Compliant

REACH SVHC

Not Contained Per -
 ED/61/2018 (27 June
 2018)

Halogen-Free

Status

Not Low-Halogen

For more information, please visit [Contact US](#)

China ROHS

ELV

RoHS Phthalates

China RoHS

Green Image

Not Relevant

Not Contained

Search Parts in this Series

[19212 Series](#)

PLEASE CHECK WWW.MOLEX.COM FOR LATEST PART INFORMATION