

PLEASE CHECK WWW.MOLEX.COM FOR LATEST PART INFORMATION

Part Number: [0358431216](#)
Status: **Active**
Overview: Automotive Bulb Sockets
Description: PT Bulb Socket Single Housing Assembly, Type B, P21W, Sealed, Gray

Documents:

[3D Model](#) [Packaging Specification PK-35843-001-001 \(PDF\)](#)
[Drawing \(PDF\)](#) [RoHS Certificate of Compliance \(PDF\)](#)

General

Product Family	Other Sockets
Series	35843
Comments	B-Type
Component Type	Socket
Overview	Automotive Bulb Sockets
Product Name	PT Bulb Socket
UPC	822348101801

Physical

Circuits (Loaded)	2
Circuits (maximum)	2
Color - Resin	White
Durability (mating cycles max)	Contact Molex
Entry Angle	Vertical
Keying to Mating Part	None
Material - Resin	Nylon
Net Weight	10.538/g
PCB Locator	No
PCB Retention	N/A
Packaging Type	Bag
Pitch - Mating Interface	N/A
Temperature Range - Operating	-40° to +85°C
Termination Interface: Style	Through Hole

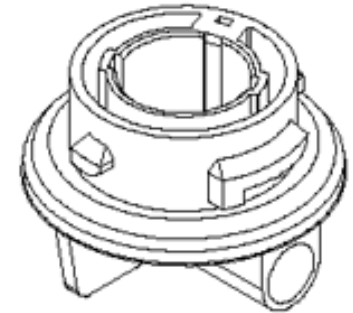
Electrical

Current - Maximum per Contact	7.0A
Voltage - Maximum	12V

Material Info

Reference - Drawing Numbers

Packaging Specification	PK-35843-001-001
Sales Drawing	SD-35843-002



Series image - Reference only

EU ELV

Compliant

EU RoHS

Compliant

REACH SVHC

Not Contained Per
-ED/01/2018 (15
January 2018)

Halogen-Free

Status

Not Relevant

Need more information on product environmental compliance?

Email productcompliance@molex.com
Please visit the [Contact Us](#) section for any non-product compliance questions.

China ROHS	Not Relevant
ELV	Compliant
Prop65	Compliant
RoHS Phthalates	Not Contained

Search Parts in this Series

[35843](#) Series

Mates With

Bayonet Base Bulb

Use With

Positive Terminal for PT Bulb Socket
[35464-8000](#)
Earth Terminal for PT
Bulb Socket [35465-8000](#)
Positive Wire
Seal [35903-0096](#)
Earth Wire Seal
[35903-0106](#)