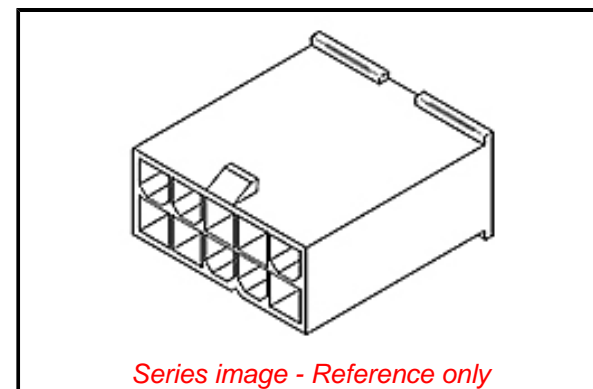


PLEASE CHECK WWW.MOLEX.COM FOR LATEST PART INFORMATION

Part Number: [0039013143](#)
Status: **Active**
Overview: Mini-Fit Jr. Power Connectors
Description: Mini-Fit Jr. Plug Housing, Dual Row, 14 Circuits, UL 94V-2, without Panel Mounting Ears, Natural

Documents:

| | |
|--|---|
| 3D Model | Product Specification TS-5556-002-001 (PDF) |
| Drawing (PDF) | Application Specification AS-5557-001-001 (PDF) |
| Product Specification PS-45750-001-001 (PDF) | Packaging Specification PK-5559-002-001 (PDF) |
| Product Specification PS-5556-001-001 (PDF) | RoHS Certificate of Compliance (PDF) |



Agency Certification

| | |
|-----|---------|
| CSA | LR19980 |
| UL | E29179 |

General

| | |
|----------------|--|
| Product Family | Crimp Housings |
| Series | 5559 |
| Application | Power, Wire-to-Board, Wire-to-Wire |
| Comments | Current = 13A max. per circuit when header is mated to a receptacle loaded with 45750 series terminals crimped to 16 AWG wire. . See Molex product specification PS-45750-001 for additional current derating information. |
| Overview | Mini-Fit Jr. Power Connectors |
| Product Name | Mini-Fit Jr. |
| UPC | 800753683730 |

Physical

| | |
|-------------------------------|----------------|
| Breakaway | No |
| Circuits (maximum) | 14 |
| Color - Resin | Natural |
| Flammability | 94V-2 |
| Gender | Plug |
| Glow-Wire Capable | No |
| Keying to Mating Part | None |
| Lock to Mating Part | Yes |
| Material - Resin | Nylon |
| Net Weight | 3.882/g |
| Number of Rows | 2 |
| Packaging Type | Bag |
| Panel Mount | No |
| Pitch - Mating Interface | 4.20mm |
| Pitch - Termination Interface | 4.20mm |
| Polarized to Mating Part | Yes |
| Stackable | No |
| Temperature Range - Operating | -40° to +105°C |

Electrical

| | |
|-------------------------------|-------|
| Current - Maximum per Contact | 13.0A |
|-------------------------------|-------|

Solder Process Data

| | |
|------------------------------|-----|
| Lead-free Process Capability | N/A |
|------------------------------|-----|

Material Info

| | |
|--------------------|-----------|
| Engineering Number | 5559-14P1 |
|--------------------|-----------|

EU ELV

Not Relevant

EU RoHS

Compliant

REACH SVHC

Not Contained Per - ED/61/2018 (27 June 2018)

Halogen-Free

Status

Low-Halogen

For more information, please visit [Contact US](#)

China ROHS

ELV

RoHS Phthalates

China RoHS

Green Image

Not Relevant

Not Contained

Search Parts in this Series

[5559](#) Series

Mates With

Receptacle Housing [39-01-2140](#)

Use With

[5558](#) Mini-Fit Jr. Male Crimp Terminals.
[30490](#) Mini-Fit Male Grounding Crimp Terminals
 [46012](#) Mini-Fit Plus Crimp Terminal

Reference - Drawing Numbers

Application Specification

Packaging Specification

Product Specification

Sales Drawing

AS-5557-001-001

PK-5559-002-001

PS-45750-001-001, PS-5556-001-001,

TS-5556-002-001

55590001-SD-000

This document was generated on 10/19/2018

PLEASE CHECK WWW.MOLEX.COM FOR LATEST PART INFORMATION