

**PLEASE CHECK WWW.MOLEX.COM FOR LATEST PART INFORMATION**

**Part Number:** **5025790000**  
**Status:** **Active**  
**Overview:** CLIK-Mate Wire-to-Board Connectors  
**Description:** CLIK-Mate 1.50mm Pitch Wire-to-Board Crimp Terminal, Tin Plating, 24-28 AWG, Reel

**Documents:**

<a href="#">3D Model</a>	<a href="#">Application Specification AS-502578-001-001 (PDF)</a>
<a href="#">Drawing (PDF)</a>	<a href="#">Application Specification AS-502578-002-001 (PDF)</a>
<a href="#">Product Specification PS-502584-001-001 (PDF)</a>	<a href="#">Application Specification AS-503149-001-001 (PDF)</a>
<a href="#">Product Specification PS-503159-001-001 (PDF)</a>	<a href="#">Application Specification AS-503395-001-001 (PDF)</a>
<a href="#">Product Specification PS-503395-001-001 (PDF)</a>	<a href="#">Packaging Specification SPK-502579-001-001 (PDF)</a>
<a href="#">Application Specification 5031490000-000 (PDF)</a>	<a href="#">RoHS Certificate of Compliance (PDF)</a>

**General**

Product Family	Crimp Terminals
Series	<u>502579</u>
Application	Signal, Wire-to-Board
Crimp Quality Equipment	Yes
Overview	<u>CLIK-Mate Wire-to-Board Connectors</u>
Packaging Alternative	<u>502579-0100 (Loose)</u>
Product Name	CLIK-Mate
UPC	800756642857

**Physical**

Durability (mating cycles max)	30
Gender	Male
Material - Metal	Copper Alloy
Material - Plating Mating	Tin
Material - Plating Termination	Tin
Net Weight	22.500/mg
Packaging Type	Reel
Plating min - Mating	0.406µm
Plating min - Termination	0.406µm
Termination Interface: Style	Crimp or Compression
Wire Insulation Diameter	0.78-1.28mm
Wire Size AWG	24, 26, 28
Wire Size mm <sup>2</sup>	0.08-0.20

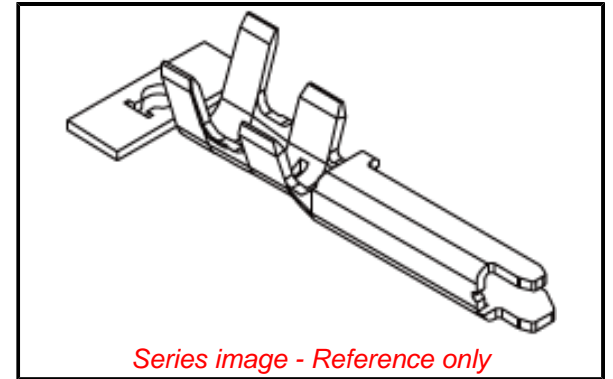
**Electrical**

Current - Maximum per Contact	2.0A
Voltage - Maximum	100V AC (RMS)/DC

**Material Info**

**Reference - Drawing Numbers**

Application Specification	5031490000-000, AS-502578-001-001, AS-502578-002-001, AS-503149-001-001, AS-503395-001-001
Crimp Specification	CS-502579-001-001
Packaging Specification	SPK-502579-001-001
Product Specification	PS-502584-001-001, PS-503159-001-001, PS-503395-001-001
Sales Drawing	SD-502579-001, SD-502579-002



**EU ELV**

**Not Relevant**

**EU RoHS**

**Compliant**

**REACH SVHC**

Not Contained Per - ED/61/2018 (27 June 2018)

**Halogen-Free**

**Status**

**Low-Halogen**

For more information, please visit [Contact US](#)

China ROHS

ELV

RoHS Phthalates

**China RoHS**

Green Image

Not Relevant

Not Contained

**Search Parts in this Series**

502579 Series

**Use With**

502578 CLIK-Mate Housing, 503149 CLIK-Mate Housing