

**PLEASE CHECK WWW.MOLEX.COM FOR LATEST PART INFORMATION**

**Part Number:** [0559172810](#)  
**Status:** **Active**  
**Overview:** [MicroClasp Wire-to-Board System](#)  
**Description:** 2.00mm Pitch MicroClasp Wire-to-Board Header, Dual Row, Vertical, 28 Circuits, with PCB Locator

**Documents:**

[3D Model](#) [Packaging Specification 559179200-SPK-200 \(PDF\)](#)  
[Drawing \(PDF\)](#) [RoHS Certificate of Compliance \(PDF\)](#)  
[Product Specification PS-51353-003-001 \(PDF\)](#)

**Agency Certification**

UL E29179

**General**

Product Family PCB Headers  
 Series [55917](#)  
 Application Signal, Wire-to-Board  
 Overview [MicroClasp Wire-to-Board System](#)  
 Product Name MicroClasp  
 UPC 756054244302

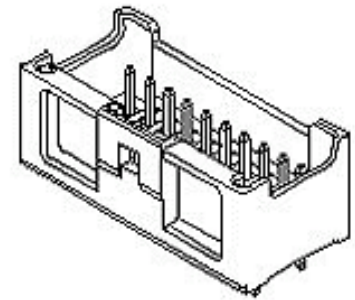
**Physical**

Breakaway No  
 Circuits (Loaded) 28  
 Circuits (maximum) 28  
 Color - Resin Natural  
 Durability (mating cycles max) 30  
 First Mate / Last Break No  
 Flammability 94V-0  
 Glow-Wire Capable No  
 Guide to Mating Part No  
 Keying to Mating Part None  
 Lock to Mating Part Yes  
 Material - Plating Mating Tin  
 Material - Plating Termination Tin  
 Material - Resin Polyester  
 Net Weight 1999.300/mg  
 Number of Rows 2  
 Orientation Vertical  
 PC Tail Length 3.20mm  
 PCB Locator Yes  
 PCB Retention Yes  
 PCB Thickness - Recommended 1.60mm  
 Packaging Type Tray  
 Pitch - Mating Interface 2.00mm  
 Shrouded Fully  
 Stackable No  
 Surface Mount Compatible (SMC) No  
 Temperature Range - Operating -25° to +85°C  
 Termination Interface: Style Through Hole

**Electrical**

Current - Maximum per Contact 3.0A  
 Voltage - Maximum 250V

**Material Info**



*Series image - Reference only*

**EU ELV**

**Not Relevant**

**EU RoHS**

**Compliant**

**REACH SVHC**

Not Contained Per -  
 ED/61/2018 (27 June  
 2018)

**Halogen-Free**

**Status**

**Not Low-Halogen**

For more information, please visit [Contact US](#)

China ROHS

ELV

RoHS Phthalates

**China RoHS**

Green Image

Not Relevant

Not Contained

**Search Parts in this Series**

[55917 Series](#)

**Mates With**

[51353](#) MicroClasp Wire-to-Board Receptacle Housing

**Reference - Drawing Numbers**

Packaging Specification

Product Specification

Sales Drawing

559179200-SPK-200

PS-51353-003-001

SD-55917-003

This document was generated on 10/02/2018

**PLEASE CHECK [WWW.MOLEX.COM](http://WWW.MOLEX.COM) FOR LATEST PART INFORMATION**