

**PLEASE CHECK WWW.MOLEX.COM FOR LATEST PART INFORMATION**

**Part Number:** **0761348501**

**Status:** **Active**

**Overview:** VHDM H-Series Backplane Connectors

**Description:** VHDM H-Series Single-Ended Board-to-Board Backplane Header, 2.00mm Pitch, Vertical, 8 Rows, Signal Module, Open End Version, 200 Circuits, Pin Length 4.75mm

**Documents:**

[Drawing \(PDF\)](#)

[Packaging Specification PK-74060-003 \(PDF\)](#)

[RoHS Certificate of Compliance \(PDF\)](#)

**General**

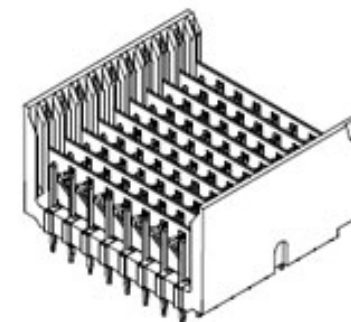
Product Family	Backplane Connectors
Series	<u>76134</u>
Application	Backplane
Application Tooling Documents	TM-622010999
Comments	No Keying Position
Component Type	PCB Header
Overview	<u>VHDM H-Series Backplane Connectors</u>
Product Name	VHDM H-Series
UPC	884982231788

**Physical**

Circuits (Loaded)	200
Circuits (maximum)	200
Color - Resin	Black
Durability (mating cycles max)	200
First Mate / Last Break	No
Guide to Mating Part	Yes
Keying to Mating Part	None
Material - Metal	Copper Alloy
Material - Plating Mating	Gold
Material - Plating Termination	Matte Tin
Material - Resin	High Temperature Thermoplastic
Net Weight	16.619/g
Number of Columns	25
Number of Pairs	Open Pin Field
Number of Rows	8
Orientation	Vertical
PC Tail Length	1.83mm
PCB Locator	No
PCB Retention	None
Packaging Type	Tube
Pitch - Mating Interface	2.00mm
Pitch - Termination Interface	1.00mm
Plating min - Mating	0.762µm
Plating min - Termination	0.762µm
Polarized to PCB	Yes
Stackable	No
Surface Mount Compatible (SMC)	Yes
Temperature Range - Operating	-55° to +85°C
Termination Interface: Style	Through Hole - Compliant Pin

**Electrical**

Current - Maximum per Contact	1.0A
Data Rate	6.25 Gbps
Shield Type	Ground Plane Shield
Shielded	Yes



*Series image - Reference only*

**EU ELV**

**Not Relevant**

**EU RoHS**

**Compliant**

**REACH SVHC**

Not Contained Per -  
ED/61/2018 (27 June  
2018)

**Halogen-Free**

**Status**

**Low-Halogen**

For more information, please visit [Contact US](#)

China ROHS

ELV

RoHS Phthalates

**China RoHS**

Green Image

Not Relevant

Not Contained

**Search Parts in this Series**

76134 Series

**Mates With**

76021 VHDM Board-to-Board Daughtercard Receptacle

Voltage - Maximum 120V AC (RMS)/DC

**Solder Process Data**

Lead-free Process Capability N/A

**Material Info**

**Reference - Drawing Numbers**

Packaging Specification PK-74060-003

Sales Drawing SD-76134-001

This document was generated on 10/08/2018

**PLEASE CHECK [WWW.MOLEX.COM](http://WWW.MOLEX.COM) FOR LATEST PART INFORMATION**