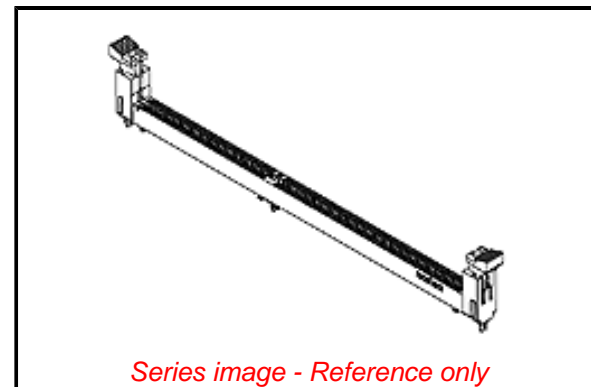


**PLEASE CHECK WWW.MOLEX.COM FOR LATEST PART INFORMATION**

**Part Number:** [0781560001](#)  
**Status:** **Active**  
**Overview:** DDR3 DIMM Sockets  
**Description:** 1.00mm Pitch DDR3 DIMM Socket, Vertical, Surface Mount, with Beveled Metal Pins, Black Housing and Latches, 0.76µm Gold (Au) Plating, 3.94mm Beveled Metal Pin Length, 1.57mm PCB Thickness, 240 Circuits, Lead-Free

**Documents:**

<a href="#">3D Model</a>	<a href="#">Application Specification AS-78156-001-001 (PDF)</a>
<a href="#">Drawing (PDF)</a>	<a href="#">Packaging Specification PK-78156-001 (PDF)</a>
<a href="#">Product Specification PS-78156-001-001 (PDF)</a>	<a href="#">RoHS Certificate of Compliance (PDF)</a>



**Agency Certification**

CSA	LR19980
UL	E29179

**General**

Product Family	Memory Module Sockets
Series	<a href="#">78156</a>
Component Type	Socket
Electrical Model	Yes
JEDEC Outline	MO-269
Overview	<a href="#">DDR3 DIMM Sockets</a>
Product Name	DDR3 DIMM
UPC	800756674803

**Physical**

Circuits (Loaded)	240
Circuits (maximum)	240
Durability (mating cycles max)	25
Entry Angle	Vertical
Flammability	94V-0
Function Key	None
Housing Color	Black
Keying to Mating Part	Yes
Latch Color	Black
Material - Metal	Copper Alloy
Material - Plating Mating	Gold
Material - Plating Termination	Tin
Material - Resin	High Temperature Thermoplastic
Net Weight	8.847/g
PCB Locator	Yes
PCB Retention	Yes
PCB Thickness - Recommended	1.57mm
Packaging Type	Tray
Pitch - Mating Interface	1.00mm
Pitch - Termination Interface	1.00mm
Plating min - Mating	0.762µm
Plating min - Termination	2.540µm
Temperature Range - Operating	-55° to +85°C
Termination Interface: Style	Surface Mount

**Electrical**

Current - Maximum per Contact	1.0A
Voltage - Maximum	30V AC (RMS)/DC
Voltage Key	Center

**Solder Process Data**

**EU ELV**

**Not Relevant**

**EU RoHS**

**Compliant**

**REACH SVHC**

Not Contained Per  
-ED/01/2018 (15  
January 2018)

**Halogen-Free**

**Status**

**Not Low-Halogen**

For more information, please visit [Contact US](#)

China ROHS

ELV

RoHS Phthalates

**China RoHS**

Green Image

Not Relevant

Not Contained

**Search Parts in this Series**

[78156 Series](#)

**Mates With**

JEDEC Standard 1.27mm Modules

Duration at Max. Process Temperature (seconds)	040
Lead-freeProcess Capability	REFLOW
Max. Cycles at Max. Process Temperature	002
Process Temperature max. C	260

**Material Info**

**Reference - Drawing Numbers**

Application Specification	AS-78156-001-001
Electrical Model Document	EE-78156-004, EE-78156-005
Packaging Specification	PK-78156-001
Product Specification	PS-78156-001-001
S-Parameter Model	SP-78156-004, SP-78156-005
Sales Drawing	SD-78156-001

This document was generated on 10/04/2018

**PLEASE CHECK [WWW.MOLEX.COM](http://WWW.MOLEX.COM) FOR LATEST PART INFORMATION**