

PLEASE CHECK WWW.MOLEX.COM FOR LATEST PART INFORMATION

Part Number: [0009484098](#)
Status: **Active**
Overview: [KK® Interconnect System - Molex](#)
Description: KK 396 PC Board Connector, Top Entry, Polyester Connector, 5.00µm Tin (Sn), 9 Circuits

Documents:

Drawing (PDF)	Product Specification PS-08-50-001 (PDF)
3D Model	Packaging Specification PK-41815-001-000 (PDF)
Drawing (PDF)	RoHS Certificate of Compliance (PDF)

Agency Certification

CSA	LR19980
UL	E29179

General

Product Family	PCB Receptacles
Series	41815
Application	Board-to-Board, Power
Overview	KK® Interconnect System - Molex
Product Name	KK 396
UPC	800754904346

Physical

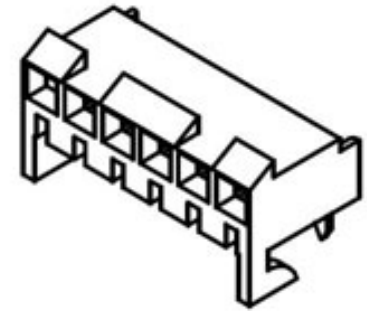
Circuits (Loaded)	9
Circuits (maximum)	9
Color - Resin	Natural
Flammability	94V-0
Glow-Wire Capable	No
Lock to Mating Part	Yes
Material - Metal	Phosphor Bronze
Material - Plating Mating	Tin
Material - Plating Termination	Tin
Material - Resin	Polyester
Net Weight	3.012/g
Number of Rows	1
Orientation	Vertical
PC Tail Length	3.05mm
PCB Locator	No
PCB Retention	None
PCB Thickness - Recommended	0.80mm
Packaging Type	Tray
Pitch - Mating Interface	3.96mm
Plating min - Mating	5.080µm
Plating min - Termination	5.080µm
Polarized to PCB	No
Temperature Range - Operating	See Product Specification
Termination Interface: Style	Through Hole

Electrical

Current - Maximum per Contact	5.0A
Voltage - Maximum	250V

Solder Process Data

Duration at Max. Process Temperature (seconds)	005
Lead-free Process Capability	WAVE
Max. Cycles at Max. Process Temperature	001
Process Temperature max. C	235



Series image - Reference only

EU ELV

Not Relevant

EU RoHS

Compliant

REACH SVHC

Not Contained Per - ED/61/2018 (27 June 2018)

Halogen-Free

Status

Not Low-Halogen

For more information, please visit [Contact US](#)

China ROHS

ELV

RoHS Phthalates

China RoHS

Green Image

Not Relevant

Not Contained

Search Parts in this Series

[41815 Series](#)

Mates With

KK 396 Header [41771](#) , [41772](#) , [41791](#) , [41792](#) , [42491](#) , [42492](#) , [42891](#) , [41661](#) , [41662](#) , [41671](#) , [41672](#) , [41681](#)

Material Info

Engineering Number

A-41815-0065

Reference - Drawing Numbers

Packaging Specification

PK-41815-001-000

Product Specification

PS-08-50-001

Sales Drawing

SDA-41815-000, SDA-41815-002

This document was generated on 10/16/2018

PLEASE CHECK WWW.MOLEX.COM FOR LATEST PART INFORMATION