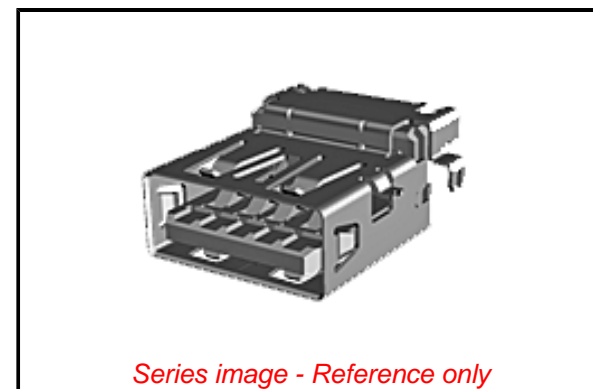


PLEASE CHECK WWW.MOLEX.COM FOR LATEST PART INFORMATION

Part Number: [0483970003](#)
Status: **Active**
Overview: [USB Products and Solutions](#)
Description: Universal Serial Bus (USB 3.0) Reverse I/O Receptacle, Right-Angle, Through Hole, Type A, High-Temperature Blue Nylon, 15µ' Gold (Au) Plating, Contact Height 1.75mm

Documents:

| | |
|--|--|
| 3D Model | Product Specification TS-48397-001-001 (PDF) |
| Drawing (PDF) | Packaging Specification PK-48397-001 (PDF) |
| Product Specification PS-48397-001-001 (PDF) | RoHS Certificate of Compliance (PDF) |



General

| | |
|----------------|--|
| Product Family | I/O Connectors |
| Series | 48397 |
| Application | Wire-to-Board |
| Component Type | Receptacle |
| Overview | USB Products and Solutions |
| Product Name | USB 3.0 |
| Type | A |
| UPC | 887191452982 |

Physical

| | |
|--------------------------------|--------------------------------|
| Circuits (Loaded) | 9 |
| Circuits (maximum) | 9 |
| Color - Resin | Blue |
| Durability (mating cycles max) | 5000 |
| Gender | Female |
| Keying to Mating Part | Yes |
| Lock to Mating Part | No |
| Material - Metal | Copper Alloy |
| Material - Plating Mating | Gold |
| Material - Plating Termination | Matte Tin |
| Material - Resin | High Temperature Thermoplastic |
| Net Weight | 1.800/g |
| Number of Rows | 2 |
| Orientation | Right Angle |
| PC Tail Length | 2.10mm |
| PCB Locator | Yes |
| PCB Retention | Yes |
| Packaging Type | Embossed Tape on Reel |
| Panel Mount | No |
| Pitch - Mating Interface | 2.00mm, 2.50mm |
| Pitch - Termination Interface | 2.00mm, 2.50mm |
| Polarized to Mating Part | Yes |
| Polarized to PCB | Yes |
| Ports | 1 |
| Temperature Range - Operating | -20° to +85°C |
| Termination Interface: Style | Through Hole |

Electrical

| | |
|-------------------------------|-----------|
| Current - Maximum per Contact | 1.8A |
| Grounding to Panel | None |
| Voltage - Maximum | 30V AC/DC |

Material Info

Reference - Drawing Numbers

| | |
|-------------------------|--------------|
| Packaging Specification | PK-48397-001 |
|-------------------------|--------------|

EU ELV

Not Relevant

EU RoHS

Compliant

REACH SVHC

Not Contained Per -
ED/61/2018 (27 June
2018)

Halogen-Free

Status

Low-Halogen

For more information, please visit [Contact US](#)

China ROHS

ELV

RoHS Phthalates

China RoHS

Green Image

Not Relevant

Not Contained

Search Parts in this Series

[48397 Series](#)

Mates With

USB 3.0 Type A Plug

This document was generated on 10/11/2018

PLEASE CHECK WWW.MOLEX.COM FOR LATEST PART INFORMATION