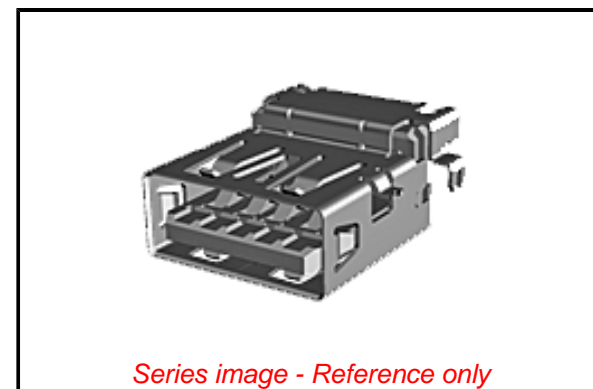


PLEASE CHECK WWW.MOLEX.COM FOR LATEST PART INFORMATION

Part Number: [0483980003](#)
Status: **Active**
Overview: [USB Products and Solutions](#)
Description: Universal Serial Bus (USB 3.0) Reverse I/O Receptacle, Right-Angle, Through Hole, Type A, High-Temperature Blue Nylon, 15µ' Gold (Au) Plating, Contact Height 2.04mm

Documents:

3D Model	Product Specification TS-48398-001-001 (PDF)
Drawing (PDF)	Packaging Specification PK-48398-001 (PDF)
Product Specification PS-48398-001-001 (PDF)	RoHS Certificate of Compliance (PDF)



General

Product Family	I/O Connectors
Series	48398
Application	Wire-to-Board
Component Type	Receptacle
Overview	USB Products and Solutions
Product Name	USB 3.0
Type	A
UPC	887191452999

Physical

Circuits (Loaded)	9
Circuits (maximum)	9
Color - Resin	Blue
Durability (mating cycles max)	5000
Gender	Female
Keying to Mating Part	Yes
Lock to Mating Part	No
Material - Metal	Copper Alloy
Material - Plating Mating	Gold
Material - Plating Termination	Matte Tin
Material - Resin	High Temperature Thermoplastic
Net Weight	2.200/g
Number of Rows	2
Orientation	Right Angle
PC Tail Length	1.57mm
PCB Locator	Yes
PCB Retention	Yes
Packaging Type	Embossed Tape on Reel
Panel Mount	No
Pitch - Mating Interface	2.00mm, 2.50mm
Pitch - Termination Interface	2.00mm, 2.50mm
Polarized to Mating Part	Yes
Polarized to PCB	Yes
Ports	1
Temperature Range - Operating	-20° to +85°C
Termination Interface: Style	Through Hole

Electrical

Current - Maximum per Contact	1.8A
Grounding to Panel	None
Voltage - Maximum	30V AC/DC

Material Info

Reference - Drawing Numbers

Packaging Specification	PK-48398-001
-------------------------	--------------

EU ELV

Not Relevant

EU RoHS

Compliant

REACH SVHC

Not Contained Per -
ED/61/2018 (27 June
2018)

Halogen-Free

Status

Low-Halogen

For more information, please visit [Contact US](#)

China ROHS

ELV

RoHS Phthalates

China RoHS

Green Image

Not Relevant

Not Contained

Search Parts in this Series

[48398 Series](#)

Mates With

USB 3.0 Type A Plug

This document was generated on 10/29/2018

PLEASE CHECK WWW.MOLEX.COM FOR LATEST PART INFORMATION