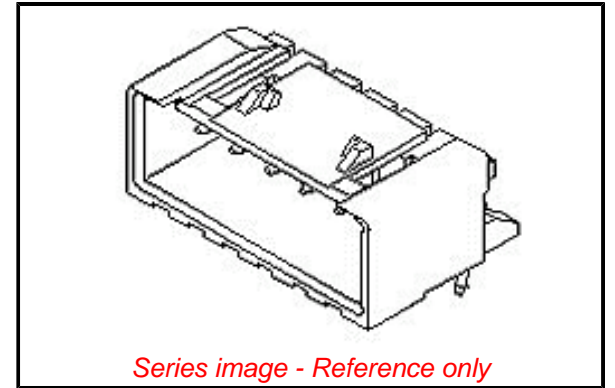


**PLEASE CHECK WWW.MOLEX.COM FOR LATEST PART INFORMATION**

**Part Number:** [0534260210](#)  
**Status:** **Active**  
**Overview:** Mini-Lock Wire-to-Board Connector System  
**Description:** 2.50mm Pitch Mini-Lock Wire-to-Board Header, Right-Angle, Friction and Positive Lock, 2 Circuits

**Documents:**

<a href="#">3D Model</a>	<a href="#">Product Specification PS-51163-002-001 (PDF)</a>
<a href="#">Drawing (PDF)</a>	<a href="#">Packaging Specification SPK-53426-002-001 (PDF)</a>
<a href="#">Product Specification PS-51102-002-001 (PDF)</a>	<a href="#">RoHS Certificate of Compliance (PDF)</a>
<a href="#">Product Specification PS-51103-005-001 (PDF)</a>	<a href="#">Product Literature (PDF)</a>



**Agency Certification**

CSA	LR19980
UL	E29179

**General**

Product Family	PCB Headers
Series	<a href="#">53426</a>
Application	Signal, Wire-to-Board
Overview	<a href="#">Mini-Lock Wire-to-Board Connector System</a>
Product Literature Order No	987651-9241
Product Name	Mini-Lock
UPC	800754368704

**Physical**

Breakaway	No
Circuits (Loaded)	2
Circuits (maximum)	2
Color - Resin	White
Durability (mating cycles max)	30
Flammability	94V-0
Glow-Wire Capable	No
Keying to Mating Part	None
Lock to Mating Part	Yes
Material - Metal	Phosphor Bronze
Material - Plating Mating	Tin
Material - Plating Termination	Tin
Net Weight	399.800/mg
Number of Rows	1
Orientation	Right Angle
PC Tail Length	3.40mm
PCB Locator	No
PCB Retention	Yes
PCB Thickness - Recommended	1.60mm
Packaging Type	Tray
Pitch - Mating Interface	2.50mm
Polarized to Mating Part	Yes
Polarized to PCB	No
Shrouded	Fully
Stackable	No
Surface Mount Compatible (SMC)	No
Temperature Range - Operating	-40° to +105°C
Termination Interface: Style	Through Hole

**Electrical**

Current - Maximum per Contact	3.0A
-------------------------------	------

**EU ELV**

**Not Relevant**

**EU RoHS**

**Compliant**

**REACH SVHC**

Not Contained Per -  
ED/61/2018 (27 June  
2018)

**Halogen-Free**

**Status**

**Not Low-Halogen**

For more information, please visit [Contact US](#)

China ROHS

ELV

RoHS Phthalates

**China RoHS**

Green Image

Not Relevant

Not Contained

**Search Parts in this Series**

[53426](#) Series

**Mates With**

[51102](#) Housing with Friction Lock, [51103](#) Housing with Positive Lock, [51163](#), [51164](#) Housing with Positive Lock and Retainer, [50351](#) Crimp Terminal, [50752](#) Crimp Terminal

Voltage - Maximum

250V

**Material Info**

**Reference - Drawing Numbers**

Packaging Specification

SPK-53426-002-001

Product Specification

PS-51102-002-001, PS-51103-005-001,

PS-51163-002-001

Sales Drawing

SD-53426-001

This document was generated on 10/24/2018

**PLEASE CHECK [WWW.MOLEX.COM](http://WWW.MOLEX.COM) FOR LATEST PART INFORMATION**