

PLEASE CHECK WWW.MOLEX.COM FOR LATEST PART INFORMATION

Part Number: [0732161500](#)
Status: **Active**
Overview: [TNC RF Connectors](#)
Description: 50 Ohms, TNC Jack, Bulkhead Right-Angle Reverse Polarity, No Hardware Included, Tray

Documents:

[Drawing \(PDF\)](#) [RoHS Certificate of Compliance \(PDF\)](#)

General

| | |
|-----------------|-----------------------------------|
| Product Family | RF/Coax Connectors |
| Series | 73216 |
| Overview | TNC RF Connectors |
| Product Name | TNC |
| Style | PCB |
| Type | Miniature |
| UPC | 800756876481 |
| Wire/Cable Type | N/A |

Physical

| | |
|-----------------------------|--------------|
| Gender | Jack |
| Keying to Mating Part | None |
| Net Weight | 39.439/g |
| Orientation | Right Angle |
| PCB Mounting | Through Hole |
| PCB Thickness - Recommended | 3.18mm |
| Packaging Type | Tray |
| Panel Mount | Yes |
| Panel Mount Method | Bulkhead |
| Reverse Polar | Yes |

Electrical

| | |
|-----------|--------|
| Frequency | 11 GHz |
| Impedance | 50Ω |

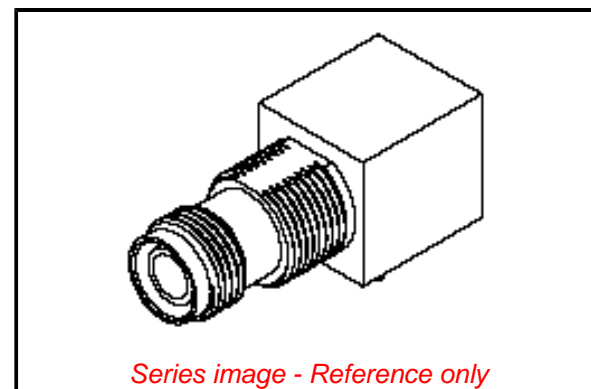
Solder Process Data

| | |
|--|----------|
| Duration at Max. Process Temperature (seconds) | 010 |
| Lead-freeProcess Capability | SMC&WAVE |
| Max. Cycles at Max. Process Temperature | 002 |
| Process Temperature max. C | 260 |

Material Info

Reference - Drawing Numbers

| | |
|---------------|--------------|
| Sales Drawing | SD-73216-150 |
|---------------|--------------|



Series image - Reference only

EU ELV

Not Relevant

EU RoHS

Compliant with Exemption 6(c)

REACH SVHC

Not Contained Per -ED/01/2018 (15 January 2018)

Halogen-Free

Status

Low-Halogen

Need more information on product environmental compliance?

Email productcompliance@molex.com
Please visit the [Contact Us](#) section for any non-product compliance questions.

| | |
|-----------------|------------------------|
| China ROHS | 50 Image |
| ELV | Not Relevant |
| Prop65 | Duty-To-Declare |
| PropRisk | Cancer |
| PropRisk | Developmental toxicity |
| PropRisk | Reproductive toxicity |
| PropSub | Lead and its compounds |
| RoHS Phthalates | Not Contained |

Search Parts in this Series

[73216 Series](#)