

PLEASE CHECK WWW.MOLEX.COM FOR LATEST PART INFORMATION

Part Number: [0780012200](#)
Status: **Active**
Overview: MiniDIMM Sockets
Description: 0.60mm Pitch miniDIMM Socket, Surface Mount, Reverse Right-Angle, with Off-White Latches, 2.5V Voltage Key, 200 Circuits, Lead-Free

Documents:

3D Model	Application Specification AS-87782-001-001 (PDF)
Drawing (PDF)	Packaging Specification PK-78001-001 (PDF)
Product Specification PS-78001-001-001 (PDF)	RoHS Certificate of Compliance (PDF)

Agency Certification

CSA	LR19980
UL	E29179

General

Product Family	Memory Module Sockets
Series	78001
Component Type	Socket
Electrical Model	Yes
JEDEC Outline	MO-258
Overview	MiniDIMM Sockets
Product Name	MiniDIMM
UPC	822350071741

Physical

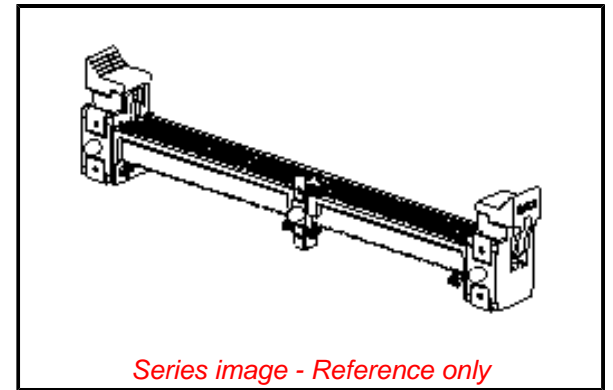
Circuits (Loaded)	200
Durability (mating cycles max)	25
Entry Angle	90° Angle (Side Entry)
Flammability	94V-0
Housing Color	Black
Keying to Mating Part	Yes
Latch Color	Natural (Off-White)
Material - Metal	Brass, Phosphor Bronze
Material - Plating Mating	Gold
Material - Plating Termination	Tin
Material - Resin	High Temperature Thermoplastic
Net Weight	9.052/g
PCB Locator	Yes
PCB Retention	Yes
Packaging Type	Tray
Pitch - Mating Interface	0.60mm
Plating min - Mating	0.762µm
Plating min - Termination	3.810µm
Temperature Range - Operating	-55° to +85°C
Termination Interface: Style	Surface Mount

Electrical

Current - Maximum per Contact	1.0A
Voltage - Maximum	30V
Voltage Key	2.5V

Solder Process Data

Duration at Max. Process Temperature (seconds)	005
Lead-free Process Capability	REFLOW
Max. Cycles at Max. Process Temperature	002
Process Temperature max. C	260



EU ELV

Not Relevant

EU RoHS

Compliant

REACH SVHC

Not Contained Per -
ED/61/2018 (27 June
2018)

Halogen-Free

Status

Not Low-Halogen

For more information, please visit [Contact US](#)

China ROHS

ELV

RoHS Phthalates

China RoHS

Green Image

Not Relevant

Not Contained

Search Parts in this Series

[78001 Series](#)

Mates With

JEDEC MO-258 Modules

Material Info

Reference - Drawing Numbers

Application Specification	AS-87782-001-001
Electrical Model Document	EE-78001-001
Packaging Specification	PK-78001-001
Product Specification	PS-78001-001-001
S-Parameter Model	SP-78001-001
Sales Drawing	SD-78001-003

This document was generated on 10/08/2018

PLEASE CHECK WWW.MOLEX.COM FOR LATEST PART INFORMATION