

**PLEASE CHECK WWW.MOLEX.COM FOR LATEST PART INFORMATION**

**Part Number:** [0901700020](#)  
**Status:** **Active**  
**Overview:** [QF-50™](#)  
**Description:** 2.54mm Pitch QF-50 Strain Relief, DIN 41651, Standard Low Profile, 20 Circuits

**Documents:**

[3D Model](#) [Packaging Specification PK-90170-001-001 \(PDF\)](#)  
[Drawing \(PDF\)](#) [RoHS Certificate of Compliance \(PDF\)](#)  
[Product Specification PS-99020-0015-001 \(PDF\)](#)

**General**

|                   |                                     |
|-------------------|-------------------------------------|
| Product Family    | Ribbon Cable / Wire Trap Connectors |
| Series            | <a href="#">90170</a>               |
| Component Type    | Strain Relief                       |
| Glow-Wire Capable | No                                  |
| Overview          | <a href="#">QF-50™</a>              |
| Product Name      | QF-50                               |
| UPC               | 800753538634                        |

**Physical**

|                               |               |
|-------------------------------|---------------|
| Circuits (Loaded)             | N/A           |
| Circuits (maximum)            | 20            |
| Color - Resin                 | Black         |
| Entry Angle                   | N/A           |
| Lock to Mating Part           | Yes           |
| Material - Plating Mating     | N/A           |
| Material - Resin              | Polyester     |
| Net Weight                    | 0.624/g       |
| Number of Rows                | 2             |
| PCB Locator                   | No            |
| PCB Retention                 | None          |
| Packaging Type                | Bag           |
| Pitch - Mating Interface      | 1.27mm        |
| Polarized to Mating Part      | No            |
| Stackable                     | No            |
| Temperature Range - Operating | -25° to +85°C |
| Wire Insulation Diameter      | N/A           |
| Wire Size AWG                 | N/A           |
| Wire/Cable Type               | Ribbon Cable  |

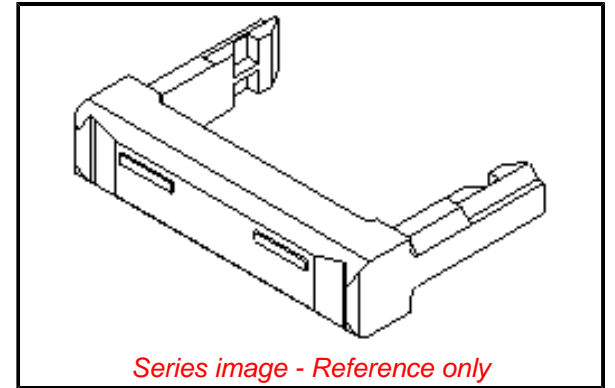
**Electrical**

|                               |            |
|-------------------------------|------------|
| Current - Maximum per Contact | 1.0A       |
| Voltage - Maximum             | 250V AC/DC |

**Material Info**

**Reference - Drawing Numbers**

|                         |                   |
|-------------------------|-------------------|
| Packaging Specification | PK-90170-001-001  |
| Product Specification   | PS-99020-0015-001 |
| Sales Drawing           | SD-90170          |



**EU ELV**

**Not Relevant**

**EU RoHS**

**Compliant**

**REACH SVHC**

Not Contained Per -  
ED/61/2018 (27 June  
2018)

**Halogen-Free**

**Status**

**Not Low-Halogen**

**Need more information on product  
environmental compliance?**

Email [productcompliance@molex.com](mailto:productcompliance@molex.com)  
Please visit the [Contact Us](#) section for any  
non-product compliance questions.

China ROHS

ELV

Prop65

RoHS Phthalates

Green Image

Not Relevant

Compliant

Not Contained

**Search Parts in this Series**

[90170 Series](#)

**Use With**

[5320](#) , [90635](#)