



**SINGLE
ARM FOR
EXTENDED
REACH**

BTV113

FLAT SCREEN WALL MOUNT WITH SINGLE ARM



Designed to wall mount small sized screens, this single arm wall mount features a rotating interface with tilt and swivel, allowing quick and easy repositioning of screens as required - the mount can display the screen folded flat against the wall or up to its maximum extension of 240mm. Cable management is included to help make a neat and tidy mounting solution which is ideal for home installations as well as commercial applications.

SPECIFICATION

Recommended Screen Size	up to 23"
Max Load	15kg
VESA® compatibility	up to 100 x 100
Screen Rotation	360°
Tilt	+/-15°
Swivel	180°
Extension	77 - 240mm
Colour	Black

FEATURES

- Single arm for extended reach
- Folds flat to the wall
- Interface features tilt, swivel and screen rotation
- Integrated cable management
- Integrated spirit level for easy wall plate levelling during installation
- Simple 'hook-on' installation
- All mounting hardware included



Screen mounting up to VESA 100 x 100mm



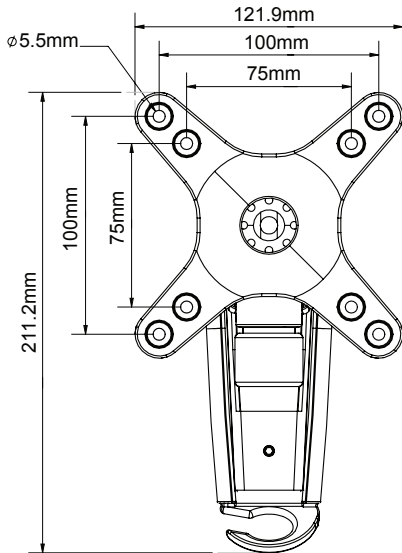
Integrated cable management and spirit level included



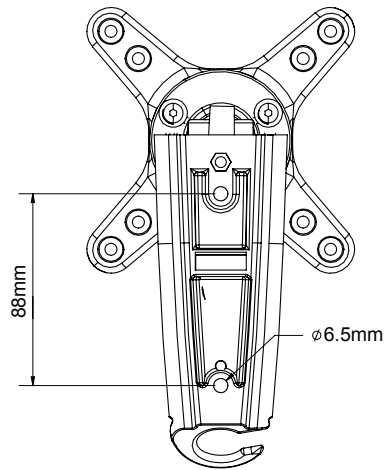
Features swivel and up / down tilt



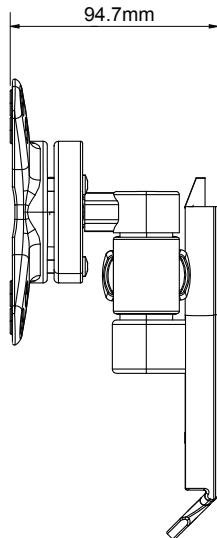
Interface allows screen rotation of 360°



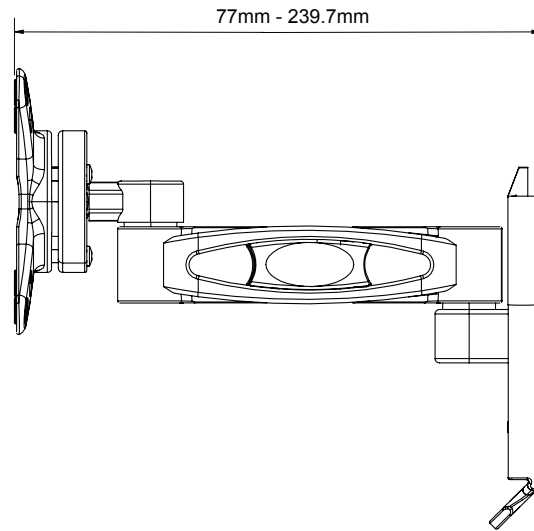
FRONT VIEW



REAR VIEW



SIDE VIEW WITH ARM FOLDED



SIDE VIEW WITH ARM EXTENDED

PACKING INFORMATION

COLOUR:	ORDER REF:	EAN CODE:	MASTER CARTON QTY:	INNER CARTON QTY:	MASTER CARTON WEIGHT:	MASTER CARTON CUBE:
Black	BTV113/B	5019318440588	12	0	14.60kg	0.055 cbm

ACCESSORIES AND SIMILAR PRODUCTS TO THE BTV113



BTV920
AV Component Shelf Adjustable shelf designed for all common AV equipment



BTV114
Double Arm Wall Mount with Tilt & Swivel designed for screens up to 23"



BTV503
Single Arm Wall Mount with Tilt & Swivel designed for screens up to 42"



BT7512
Single Arm Wall Mount with Tilt & Swivel designed for screens up to 23"

© 2016 B-Tech International Pty. Ltd. All rights reserved.
The information in this specification is provided for informational purposes only. It is not intended to be used as a substitute for the manufacturer's instructions. B-Tech International Pty. Ltd. is not responsible for any damage or injury caused by improper or unauthorized use of the product. Any reproduction or transmission of any part of this specification is strictly prohibited unless prior written permission has been granted by B-Tech International Pty. Ltd.

SS-BTV113-42-070618