

Screwdriver - SF-SL 0,6X3,5-100 S-VDE - 1212587

Please be informed that the data shown in this PDF Document is generated from our Online Catalog. Please find the complete data in the user's documentation. Our General Terms of Use for Downloads are valid (<http://phoenixcontact.com/download>)



Actuation tool, for ST terminal blocks, VDE insulated, with slimmer insulation integrated in the blade, also suitable for use as a bladed screwdriver, size: 0.6 x 3.5 x 100 mm, 2-component grip, with non-slip grip

Your advantages

- VDE-tested, for maximum safety
- In addition to standard applications, SF-SL ... screwdrivers are particularly suitable for modular terminal block assembly
- Because the insulation runs into the shaft, there is no protruding edge

Key Commercial Data

Packing unit	10 pc
GTIN	 4 046356 590228
GTIN	4046356590228
Weight per Piece (excluding packing)	39.170 g
Custom tariff number	82054000
Country of origin	Czech Republic

Technical data

Dimensions

Length (b)	181 mm
Width (a)	26 mm
Blade thickness	0.6 mm
Blade width	3.5 mm
Blade height	100 mm
Wrench size	0 mm

General

Type	Bladed
	straight
Material	alloyed tool steel
Test standard	DIN/ISO 2380-1 IEC 60900:2004
Weight	34 g

Standards and Regulations

Screwdriver - SF-SL 0,6X3,5-100 S-VDE - 1212587

Technical data

Standards and Regulations

Test standard	DIN/ISO 2380-1 IEC 60900:2004
---------------	-------------------------------

Environmental Product Compliance

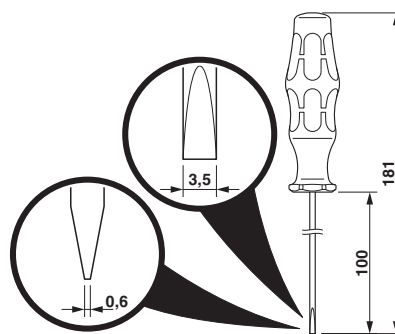
California Proposition 65	Further information on California's prop. 65 is available under "Downloads" in the manufacturer's declaration
---------------------------	---

Drawings

Pictogram



Dimensional drawing



Classifications

eCl@ss

eCl@ss 4.0	21040402
eCl@ss 4.1	21040402
eCl@ss 5.0	21040402
eCl@ss 5.1	21040400
eCl@ss 6.0	21040400
eCl@ss 7.0	21040407
eCl@ss 8.0	21040407
eCl@ss 9.0	21040407

ETIM

ETIM 4.0	EC000158
ETIM 5.0	EC000158
ETIM 6.0	EC000158

UNSPSC

UNSPSC 6.01	27111701
UNSPSC 7.0901	27111701
UNSPSC 11	27111701
UNSPSC 12.01	27111701
UNSPSC 13.2	27111701

Screwdriver - SF-SL 0,6X3,5-100 S-VDE - 1212587

Approvals


Approvals

Approvals

VDE Zeichengenehmigung / EAC

Ex Approvals

Approval details

VDE Zeichengenehmigung		http://www2.vde.com/de/Institut/Online-Service/VDE-gepruefteProdukte/Seiten/Online-Suche.aspx	40032921
------------------------	---	---	----------

EAC			RU C- DE.AI30.B.01750
-----	--	--	--------------------------
