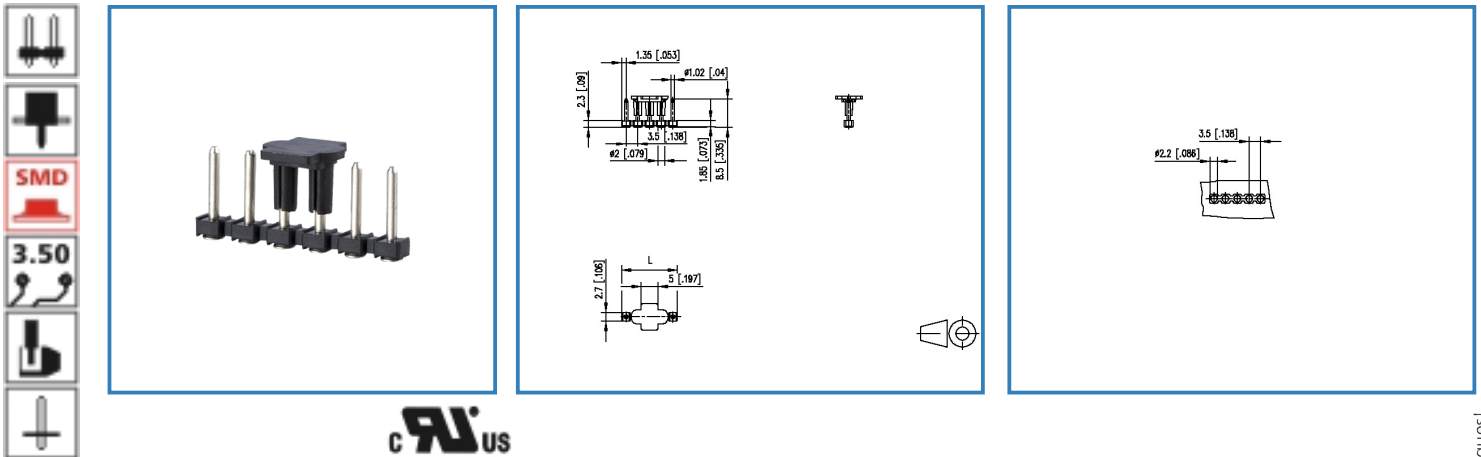


Data Sheet

PM013xxVBHC

Illustration



see enlarged drawing at the end of the document

Product specification

- pin header, SMT solderable
- centerline 3.50 mm, direction of connection vertical 0°
- fittable without loss of poles
- color black
- Tape & Reel packaging

© 2017 METZ CONNECT - Technische Änderungen vorbehalten! Subject to modifications! Sous réserve de modifications techniques!

Data Sheet

PM013xxVBHC

Page 2/5

P/N

314241xx

xx=number of poles

2017/05/05

Technical Data

General Data

Solder pin length	0 mm		
min. number of poles	2		
max. number of poles	12		
Insulating material class	CTI 400		
clearance/creepage dist.	1.5 mm		
protection category	IP 00		
Overvoltage category	III	III	II
Pollution degree	3	2	2
Rated voltage	32.0 V	200.0 V	200.0 V
Rated test voltage	2.5 kV	2.5 kV	2.5 kV

Approvals



300 / 15

2.5 kV / 3 / IEC 61984

Material

insulating material	PA46
flammability class	V0
Glow-Wire Flammability GWFI	-
Glow-Wire Flammability GWIT	-
contact pin material	CuZn
contact pin surface	Ni + Sn

Climatic properties

upper limit temperature	125 °C
lower limit temperature	-40 °C

General

solderability	Acc. to IPC/JEDEC J-STD-020D-MSL 1
Tolerance	ISO 2768 -mH



Data Sheet

PM013xxVBHC

Page 3/5

P/N

314241xx

xx=number of poles

2017/05/05

Matching Part to

P/N

Product name

311661

RP023xxHBWC Typ 166



Data Sheet

PM013xxVBHC

Page 4/5

P/N

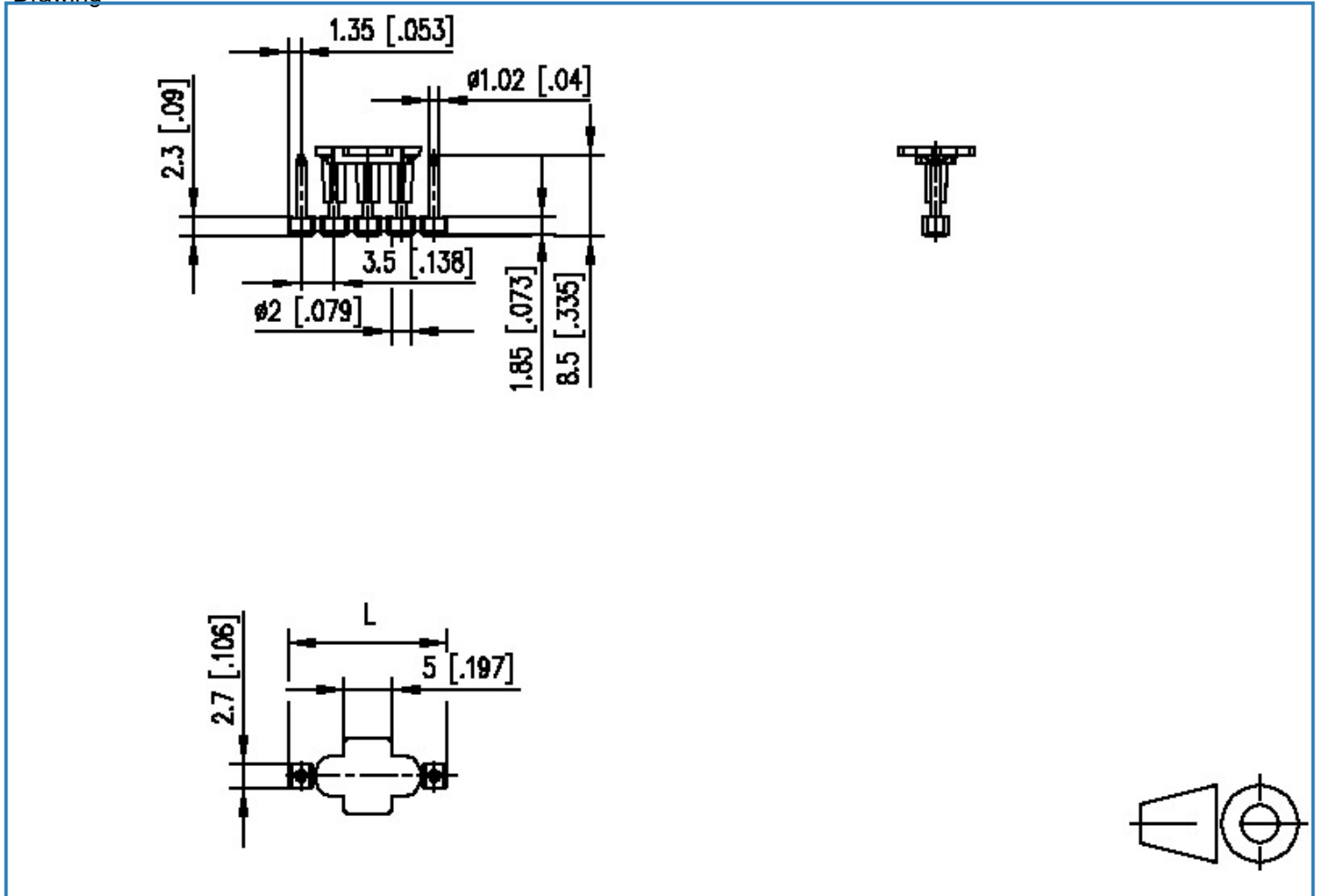
314241xx

xx=number of poles

2017/05/05

Illustration

Drawing



$$L = (\text{pole size} - 1) \times \text{centerline} + 2.7 [0.106]$$



Data Sheet

PM013xxVBHC

Page 5/5

P/N

314241xx

xx=number of poles

2017/05/05

PCB Layout

