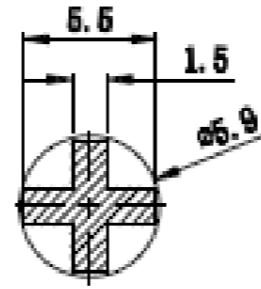


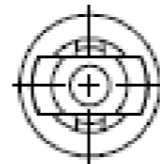
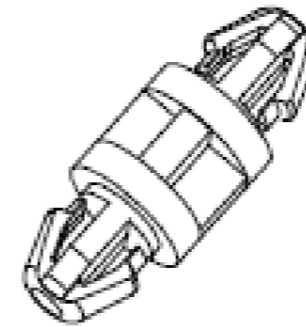
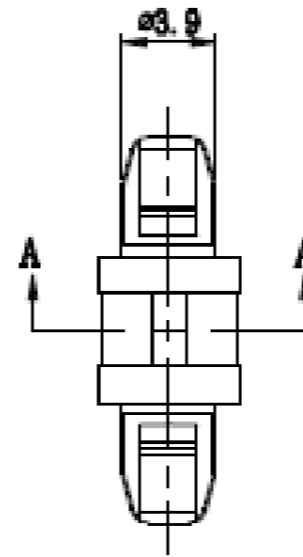
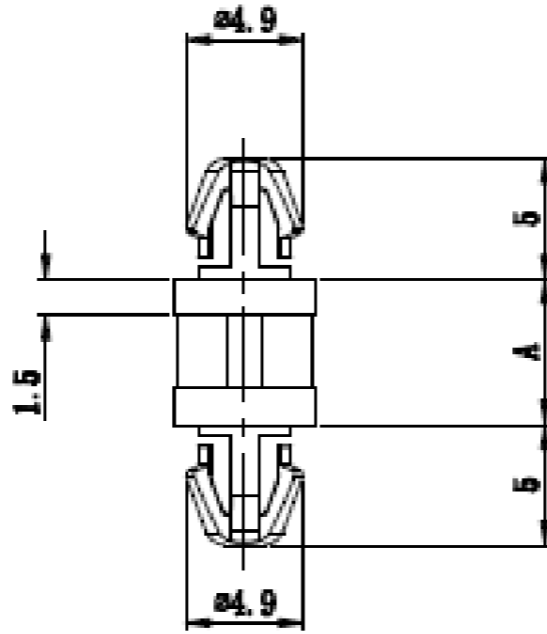
DEBUR AND BREAK SHARP EDGES

DO NOT SCALE DRAWING

REVISION



SECTION A-A



PART No.	"A"
TRDLSP-1-10M-01	10
TRDLSP-1-12M-01	12
TRDLSP-1-14M-01	14
TRDLSP-1-16M-01	16
TRDLSP-1-18M-01	18
TRDLSP-1-3M-01	3
TRDLSP-1-4M-01	4
TRDLSP-1-6M-01	6

C	Pt No TABLE ADDED ME - 01/07/14
B	DRG No CHANGED M.E. 19/06/14
A	DRAWN 01/11/13

NOTES

- MATERIAL: NYLON 66 UL-94V2/UL94V0;
- COLOR: NATURAL;
- ROHS Compliant;
- Hole: Snap-lock: $\varnothing 4.0 \pm 0.08\text{mm}$
Panel Thickness: 1.6mm.



DESIGN RIGHT. TR FASTENINGS LTD, 2003
UNDER NO CIRCUMSTANCES MUST THIS
DRAWING BE COPIED OR DISCLOSED,
WITHOUT FIRST OBTAINING WRITTEN
AUTHORITY.

UNLESS OTHERWISE SPECIFIED:
DIMENSIONS ARE IN MILLIMETERS
SURFACE FINISH:
TOLERANCES:

ISO 2768 m

NAME	DATE
DRAWN MARTIN ELLIOTT	01/11/13
CHK'D	
APPV'D	

CUSTOMER PART No

MATERIAL:

SEE NOTES

HEAT TREATMENT

N/A

FINISH:

N/A

TITLE:

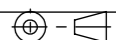
DUAL LOCKING SUPPORT POST

DWG NO.

TRDSLSP-1-XXM-01

A3

PROJECTION



SHEET 1 OF 1