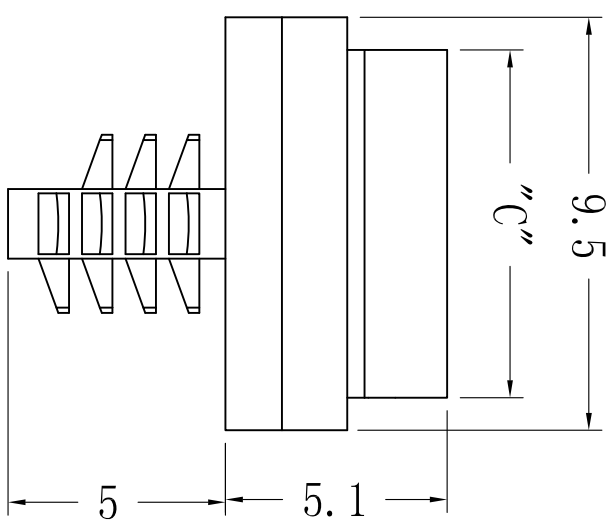
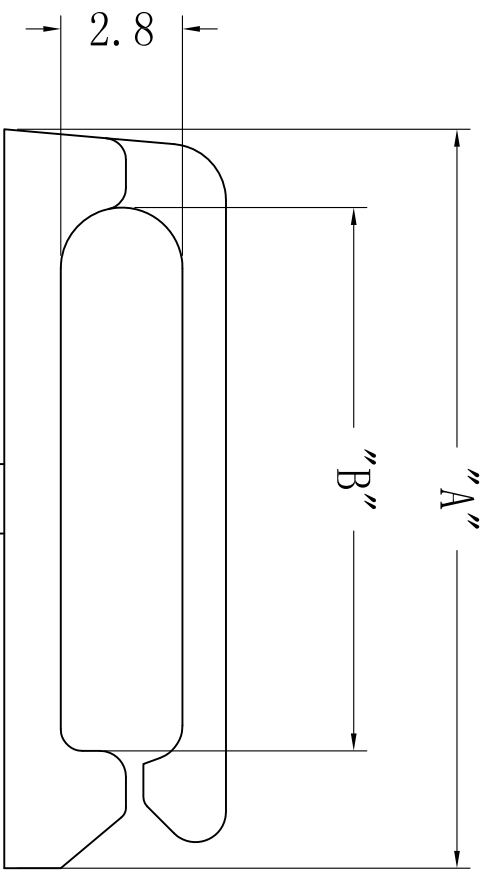


DO NOT SCALE DRAWING

REVISIONS				
ZONE	REV.	DESCRIPTION	DATE	APPROVED
A		DRAWN	08-09-2013	



Part Name	"A"	"B"	"C"
TRMBHWSSE-1-01	12.7	8.3	6.4
TRMBHWSSE1-1-01	17	12.5	8

NOTES

- Hole:  $\varnothing 4.0 \pm 0.08$ mm, Panel Thickness: 1-4.1mm
- Also available in flame retardant nylon (PA66 UL94V-0)



DESIGN RIGHT. TR FASTENINGS LTD. 2003  
 UNDER NO CIRCUMSTANCES MUST THIS  
 DRAWING BE COPIED OR DISCLOSED,  
 WITHOUT FIRST OBTAINING WRITTEN  
 AUTHORITY.

UNLESS OTHERWISE SPECIFIED: DIMENSIONS ARE IN MILLIMETERS.	
SURFACE FINISH: TOLERANCES: 1.5 < L ≤ 50 = ±0.3    50 < L ≤ 100 = ±0.4 L ≤ 4 = ±0.1    4 < L ≤ 15 = ±0.2	
NAME	DATE
DRAWN: MARTIN BILLOTT	08/09/2013
CHKD:	
APP'D:	

MATERIAL  
 PA66 UL94V-2  
 ROHS COMPLIANT

HEAT TREATMENT  
 N/A

FINISH  
 NATURAL

TITLE  
 MICRO BLIND HOLE WIRE SADDLE

CUSTOMER PART NO.

DWG NO.  
 TRMBHWSSE-X-01

A3