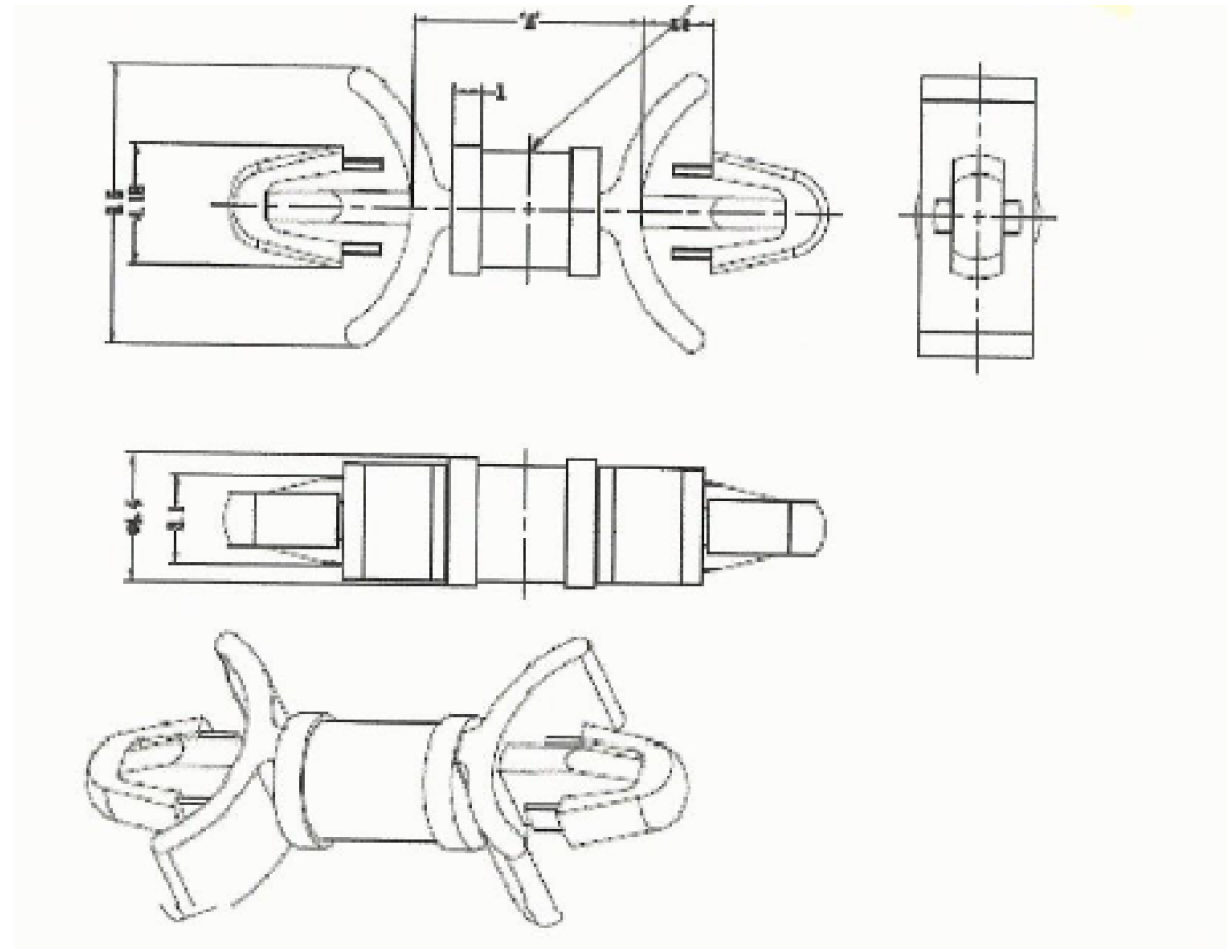


DEBUR AND BREAK SHARP EDGES

DO NOT SCALE DRAWING

REVISION



PART No.	"A"
TRDLCBSM-3-01	4.8
TRDLCBSM-4-01	6.4
TRDLCBSM-5-01	7.9
TRDLCBSM-6-01	9.5

C	Pt.No.TABLE ADDED M.E. 27/06/14
B	DRG No CHANGED M.E.19/06/14
A	DRAWN 01/11/13

NOTES

1. MATERIAL: NYLON 66 UL94V-2.
2. COLOR: NATURAL.
3. HOLE:  $\varnothing 3.18 \pm 0.05\text{mm}$ ,  
PANEL THICKNESS: 0.79-1.98mm.



DESIGN RIGHT. TR FASTENINGS LTD, 2003  
UNDER NO CIRCUMSTANCES MUST THIS  
DRAWING BE COPIED OR DISCLOSED,  
WITHOUT FIRST OBTAINING WRITTEN  
AUTHORITY.

UNLESS OTHERWISE SPECIFIED:  
DIMENSIONS ARE IN MILLIMETERS  
SURFACE FINISH:  
TOLERANCES:

NAME	DATE
DRAWN MARTIN ELLIOTT	01/11/13
CHK'D	
APPV'D	

CUSTOMER PART No

MATERIAL:

SEE NOTES

HEAT TREATMENT

N/A

FINISH:

N/A

TITLE:

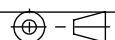
DUAL LOCKING CIRCUIT  
BOARD SUPPORT

DWG NO.

TRDLCBSM-X-01

A3

PROJECTION



SHEET 1 OF 1