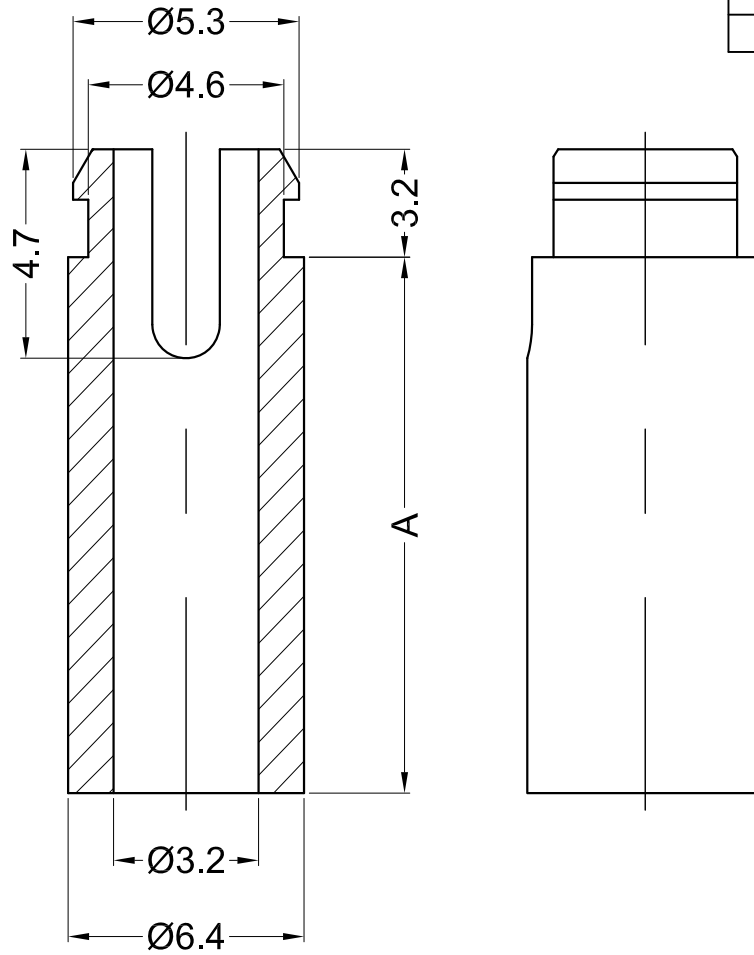


DEBUR AND BREAK SHARP EDGES

REVISIONS

ZONE	REV.	DESCRIPTION	DATE	APPROVED
	A	DRAWN	04-11-2013	
	B	DRG NO CHANGED	06-19-2014	
	C	Pt No.TABLE ADDED	06-27-2014	



PART No.	A
TRRS4-2-01	3.2
TRRS4-3-01	4.8
TRRS4-4-01	6.4
TRRS4-5-01	7.9
TRRS4-6-01	9.5
TRRS4-7-01	11.1
TRRS4-8-01	12.7
TRRS4-10-01	15.9
TRRS4-12-01	19.1
TRRS4-14-01	22.2
TRRS4-16-01	25.4

NOTES:  
 1.ROHS Compliant;  
 2.Hole:  $\varnothing 4.7 \pm 0.08\text{mm}$ ,  
 Panel Thickness: 1.6mm;



DESIGN RIGHT. TR FASTENINGS LTD. 2003  
 UNDER NO CIRCUMSTANCES MUST THIS  
 DRAWING BE COPIED OR DISCLOSED,  
 WITHOUT FIRST OBTAINING WRITTEN  
 AUTHORITY.

UNLESS OTHERWISE SPECIFIED:  
 DIMENSIONS ARE IN MILLIMETERS.  
 SURFACE FINISH:  
 TOLERANCES:

IOS 2768 m

	NAME	DATE
DRAWN	MARTIN ELLIOTT	04/11/13
CHK'D		
APP'D		

MATERIAL  
 Nylon UL94V-2

HEAT TREATMENT  
 N/A

FINISH  
 NATURAL

TITLE:  
 SELF RETAINING SPACER  
 (STACKABLE)

CUSTOMER PART NO.

DWG NO.  
 TRRS4-X-01

A3