

Terminal Protection to IP20

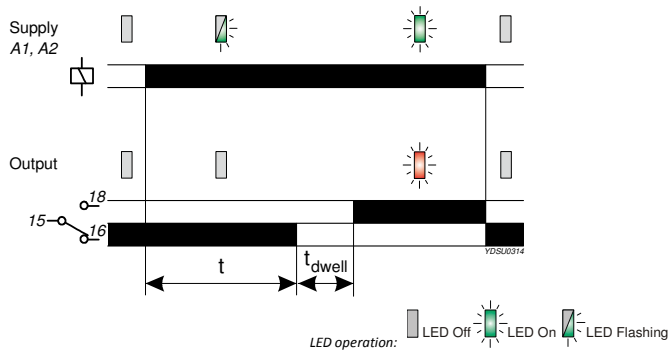


Dims: to DIN 43880
W. 17.5mm

- ❑ ***NEW* 17.5mm DIN rail housing**
- ❑ **Star/Delta timing function**
- ❑ **7 Selectable Dwell time settings (40 – 160ms)**
- ❑ **7 Selectable time ranges (0.1 seconds – 100 hours)**
- ❑ **Fine adjustment of selected time range**
- ❑ **Multi-voltage input (12 – 230V AC/DC)**
- ❑ **1 x SPDT relay output 8A**
- ❑ **Green LED indication for supply / timing status**
- ❑ **Red LED indication for relay status**
- ❑ **Conforms to IEC 61812**



FUNCTION DIAGRAM



INSTALLATION AND SETTING

- BEFORE INSTALLATION, ISOLATE THE SUPPLY.
- Connect the unit as required.

Installation work must be carried out by qualified personnel.

Setting the unit.

- Set the "Dwell (ms)" selector ⑤ to the required position.
- Set the "Range" ④ to the required position (depending on whether seconds, minutes or hours are required), then set the "Set %" adjustment ③ as required. The "Set %" is a % of the selected range, so 60% of the 1 – 10 hour range will give 6 hours.

Applying power.

- Apply power and the green LED ① will start flashing to indicate timing is in progress. Contacts 15 and 16 will remain closed during this period.
- At the end of the delay period "t", contacts 15 and 16 will open for the period set by the Dwell time.
- After the Dwell time, contacts 15 and 18 will close and the red relay LED ② will illuminate to indicate the relay is in the energised state.
- The relay will remain in the energised state until power is removed. Re-applying power will repeat the whole process again.

Note:

¹ In accordance with IEC 61812, the green LED is permitted to extinguish during a voltage dip or momentary interruption of the power supply providing the state of the output relay does not change. The dip / interruption duration and levels are defined in the product standard.

² The dip / interruption (reset) duration and levels are defined in the product standard however, the standard allows for these to be different from the levels actually specified.

TECHNICAL SPECIFICATION

| | | | | |
|----------------------------------|--------------------------|-------|-------|-------|
| Supply voltage U (A1, A2): | 12 – 230V AC/DC | | | |
| Frequency range: | 48 - 63Hz (AC supplies) | | | |
| Supply variation: | AC: +15/-10% DC: +/-15% | | | |
| Overvoltage category: | III (IEC 60664) | | | |
| Rated impulse withstand voltage: | 4kV (1.2/50µs) IEC 60664 | | | |
| Power consumption (max.): | 12V | 24V | 110V | 230V |
| | AC: 0.6VA | 0.8VA | 2.6VA | 6.8VA |
| | DC: 0.52W | 0.48W | 0.94W | 1.9W |

| | | | |
|-----------------------------------------------------------|----------------------------------|----------|----------|
| Timing function: | Star/Delta Start | | |
| Selectable Dwell (t _{dwell}) time settings (7): | 40, 60, 80, 100, 120, 140, 160ms | | |
| Timing ranges (7): | Seconds: | Minutes: | Hours: |
| | 0.1 – 1 | 0.1 – 1 | 0.1 – 1 |
| | 1 – 10 | 1 – 10 | 1 – 10 |
| | | | 10 - 100 |

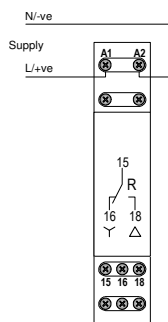
| | |
|---------------------------------------------|-------------------------------------------|
| Reset time ² : | < 100ms |
| Accuracy: | ± 1% of maximum full scale |
| Adjustment accuracy: | < 5% of maximum full scale |
| Repeat accuracy: | ± 0.5% at constant conditions (IEC 61812) |
| Drift with temperature: | ± 0.05% / °C |
| Drift with voltage: | ± 0.2% / V |
| Power on indication / Timing ¹ : | Green LED |
| Relay status: | Red LED |
| Ambient temp: | -20 to +60°C |
| Relative humidity: | +95% |
| Output (15, 16, 18): | SPDT relay |
| Output rating: | AC1 250V 6A (1500VA) DC1 30V 6A (180W) |

| | |
|----------------------------------|------------------------------------------------------------------------------------------------------------------------------------------------------------|
| Electrical life: | ≥ 150,000 ops at rated load |
| Dielectric voltage: | 2kV AC (rms) IEC 60947-1 |
| Rated impulse withstand voltage: | 4kV (1.2/50µs) IEC 60664 |
| Housing: | Orange flame retardant UL94 |
| Weight: | ≈ 70g |
| Mounting option: | On to 35mm symmetric DIN rail to BS EN 60715 or direct surface mounting via 2 x M3.5 or 4BA screws using the black clips provided on the rear of the unit. |
| Terminal conductor size | ≤ 2 x 2.5mm ² solid or stranded |
| Approvals: | Conforms to IEC 61812. |



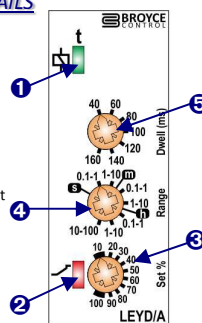
CE, C-tick and RoHS Compliant.
EMC: Immunity: EN 61000-6-2 (EN 61000-4-3 10V/m 80MHz - 2.7GHz)
Emissions: EN 61000-6-4

CONNECTION DIAGRAM



SETTING DETAILS

1. Power supply status / Timing (Green) LED
2. Relay output status (Red) LED
3. "Set %" adjustment selector
4. Time delay "Range" selector
5. "Dwell" time adjustment



DIMENSIONS

