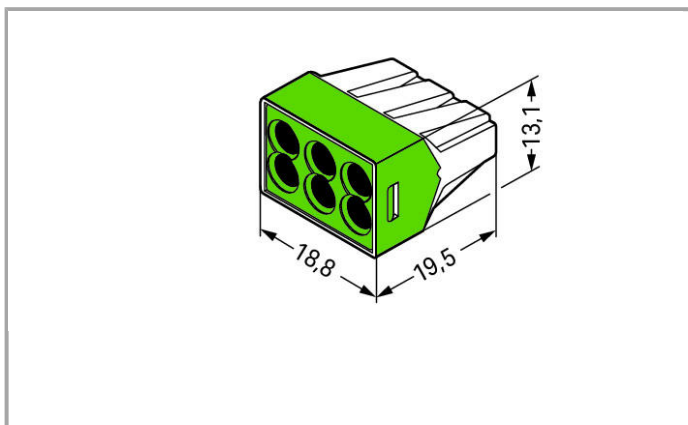


Data sheet | Item number: 773-116

PUSH WIRE® connector for junction boxes; 6-conductor; transparent housing; green face



www.wago.com/773-116



Data

Electrical data

Ratings per IEC/EN 60664-1

Rated voltage (II / 2)

400 V



Rated impulse voltage (II / 2)	4 kV
Rated current	24 A
Legend (ratings)	(II / 2) \triangleq Overvoltage category II / Pollution degree 2

Connection data

Connection technology	PUSH WIRE®
Actuation type	Push-in
Connectable conductor materials	Copper Aluminum
Solid conductor	0.75 ... 2.5 mm ² / 18 ... 12 AWG
Strip length	12 mm / 0.47 Inch
Total number of connection points	6
Total number of potentials	1
Type of wiring	Side-entry wiring

Geometrical Data

Width	18.8 mm / 0.74 inch
Height	13.1 mm / 0.516 inch
Depth	19.5 mm / 0.768 inch

Material Data

Color	transparent
Cover color	green
Flammability class per UL94	V2
Fire load	0.075 MJ
Weight	3.54 g

Environmental Requirements

Surrounding air (operating) temperature	60 °C
---	-------

Commercial data

Country of origin	CN
GTIN	4055143237550





Approvals / Certificates

Country specific Approvals

Logo	Approval	Certificate name
	CSA DEKRA Certification B.V.	1053495



Ship Approvals

Logo	Approval	Certificate name
	ABS American Bureau of Shipping	15-HG1419918-PDA
	BV Bureau Veritas S.A.	11914/C0 BV
	DNV GL Det Norske Veritas, Germanischer Lloyd	TAE000015T
	LR Lloyds Register	04/20013 (E4)

UL-Approvals

Logo	Approval	Certificate name
	UL UL International Germany GmbH	D-03479-A1
	UL UL International Germany GmbH	E201573

Compatible products

General accessories



Item no.: 249-130

Syringe; Contents: 20 ml Alu-Plus contact paste

www.wago.com/249-130

Mounting adapter



Item no.: 773-332

Mounting carrier; 773 series PUSH WIRE® connectors for junction boxes; orange

www.wago.com/773-332

Subject to changes.