

2404KL (60[□] x 10^L)



EMINEBEA.COM

General Specifications

Motor Protection:

Auto Restart/Polarity Protection

Insulation Resistance: 10M Ω or over with a DC500V Megger

Dielectric Withstand Voltage: AC 700V 1s

Allowable Ambient Temperature Range:

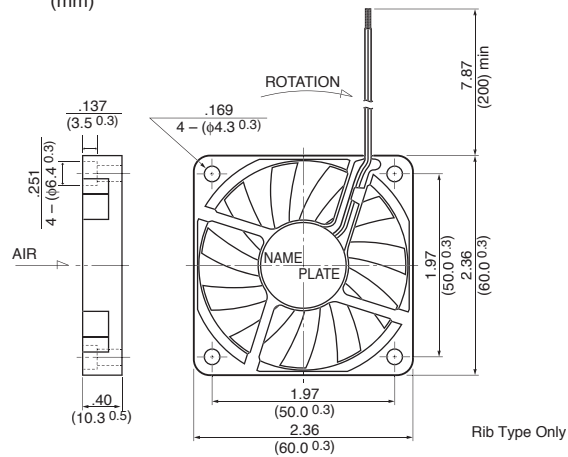
B50 Class: -10°C ~ +60°C (Operating)

B30, B40 Class: -10°C ~ +70°C (Operating)

All Class: -40°C ~ +70°C (Storage)
(non-condensing environment)

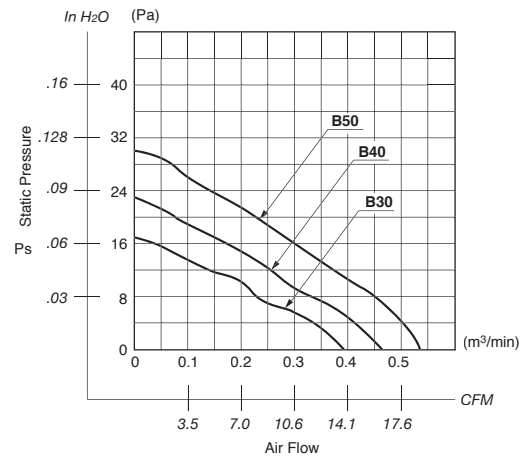
Outline

Units: $\frac{\text{inch}}{\text{mm}}$

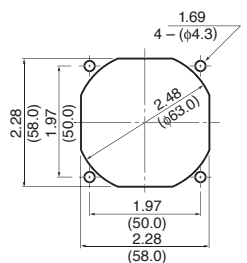


Rib Type Only

Characteristic Curves



Panel Cut-outs



INLET SIDE / OUTLET SIDE

Material

Casing : Plastic (Black) 94V-0

Impeller : Plastic (Black) 94V-0

Bearing : Ball Bearing

Lead Wire: UL1061, AWG26, +Red, -Black

Specifications

MODEL	Product No.	Rated Voltage	Operating Voltage	Current	Input Power	Speed	Max. Air Flow		Max. Static Pressure		Noise	Mass
		(V)	(V)	(A) ^{*1}	(W) ^{*1}	(min ⁻¹) ^{*1}	CFM ^{*1}	(m ³ /min) ^{*1}	in H ₂ O	(Pa) ^{*1}	(dB) ^{*1}	(g)
2404KL-04W-B30-	X00	12	10.2 ~ 13.8	0.10	1.20	3600	13.7	0.39	.07	16.7	29.0	25
2404KL-04W-B40-	X00	12	10.2 ~ 13.8	0.20	2.40	4200	16.2	0.46	.09	23.0	33.0	25
2404KL-04W-B50-	X00	12	10.2 ~ 13.8	0.27	3.24	4800	19.0	0.54	.12	30.1	36.0	25

Rotation: Clockwise

Airflow Outlet: Air Out Over Struts

*1: Average Values in Free Air

24 10 M L - 04 W - B 10 - P 00

Individual Specifications

Standard

00 Standard
01~99: Custom

Sensor Type

00: Locked Rotor Alarm Signal (Standard)
01~49: Locked Rotor Alarm Signal (Custom)
50: Tachometer Signal (Standard)
51~99: Tachometer Signal (Custom)

Product Number

Item	Classification	Mounting Style
L:	Standard Model	Rib Type
P:	Standard Model	Flange Type
B:	Standard Model	Rib Type
E:	Standard Model	Flange Type
G:	Standard Model	Rib Type
D:	Standard Model	Flange Type
T:	Value Model	Rib Type
S:	Value Model	Flange Type
C:	Value Model	Rib Type
F:	Value Model	Flange Type
J:	Value Model	One Side Rib Type
H:	Value Model	One Side Flange Type
M:	Value Model	Rib Type
V:	Value Model	Flange Type
X:	Vented Casing	Flange Type

Special Control Function

0: Standard Type
9: Sensor Type
8: 2-Speed Type
7: Temperature Detecting Variable Speed Type / PWM Control Type
6: Temperature Detecting Variable Speed Type/Sensor Type
5: 2-Speed Type/Sensor Type

Speed

1<2<3<4<5<6<7<8

Bearing

B: Ball Bearing

Termination

W: Lead Wires
T: Terminal (Terminal option on 3610KL and 4715KL Series)

Input Voltage

01: 5V
04: 12V
05: 24V
06: 36V
07: 48V
09: Custom Voltage

Motor Function

Brushless Type DCM

Series

P Series	G Series
M Series	H Series
N Series	S Series
K Series	F Series

Overall Length (Thickness)

04: 10mm	11: 28mm
06: 15mm	12: 32mm
08: 20mm	15: 38mm
10: 25mm	20: 50mm

Frame Size

10: 25mm	28: 70mm
12: 30mm	31: 80mm
14: 35mm	36: 92mm
16: 40mm	47: 119mm
20: 50mm	50: 127mm
21: 52mm	59: 150mm
24: 60mm	68: 173mm