

Speakon® Splitter Box

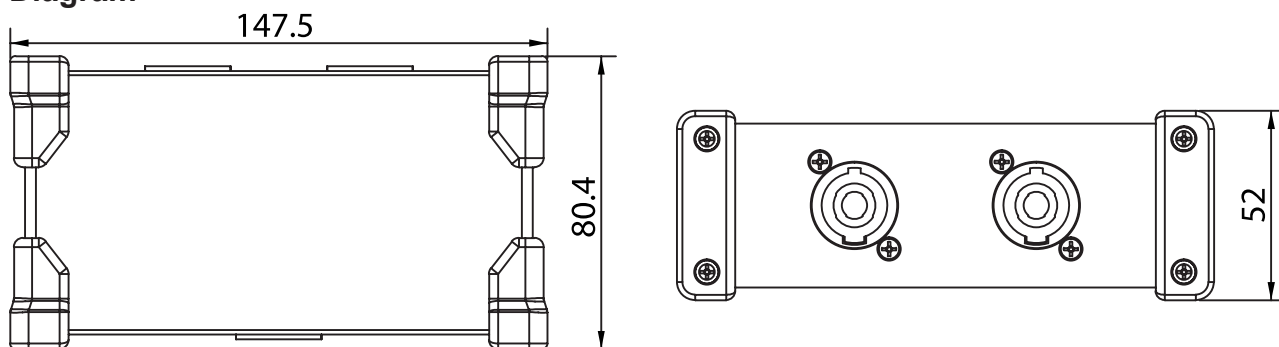
One NL4MP Input to Two NL4MP Outputs



Description

The Stellar Labs NL4-SPLIT is designed to allow the use of multiple speaker cabinets on a single amplifier channel. The splitter is wired internally (13AWG wiring) with all four pins connected in parallel. The adaptor box utilizes genuine Neutrik Speakon NL4 connectors to ensure the highest reliability.

Diagram



Dimensions : Millimetres

Note: Care should be taken to observe the minimum impedance at which the amplifier can operate - wiring two 8Ω speakers in parallel will present a 4Ω load to the amplifier

Part Number Table

Description	Part Number
Speakon® Splitter Box One NL4MP Input to Two NL4MP Outputs	NL4-SPLIT